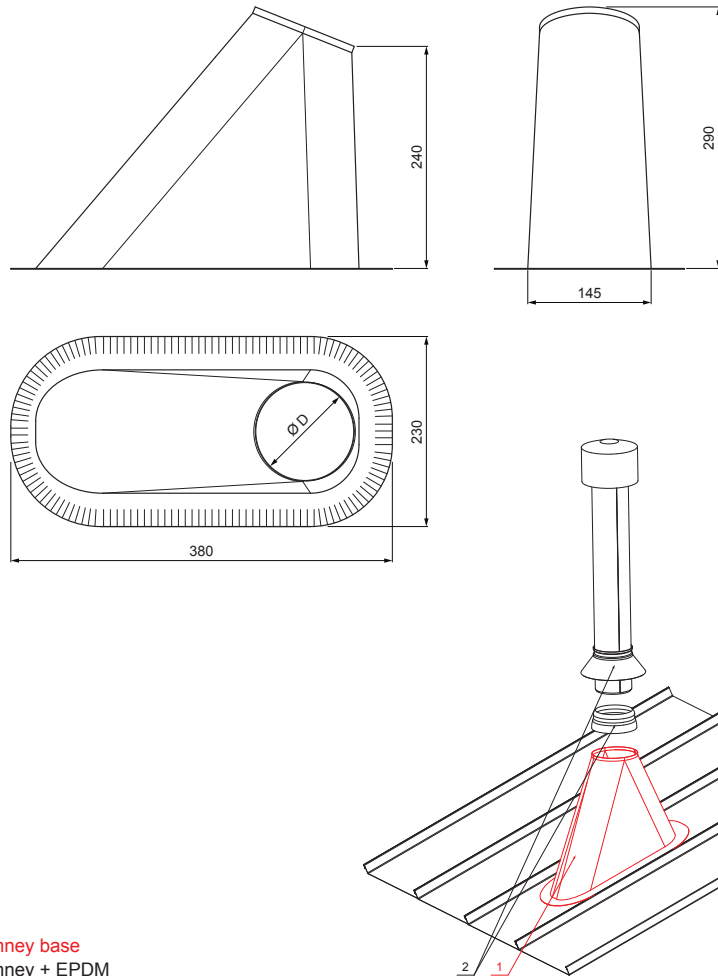


TECHNICAL SHEET

VENTILATION CHIMNEY BASE

FALZ-W.15 VKP



ICM Aluminium pre-painted W.15 – Intense black W.15 – RAL 9005

DETAIL:

1. ventilation chimney base
2. ventilation chimney + EPDM

Dimensions [mm]	
Nominal dimension	Ø D
110 – 125	110
110 – 125	125 *

* It is created by trimming adjustment – enlarging the hole

INDEX	CHANGE	DATE	SIGNATURE	KJG QUALITY®	Scan code for 3D model	
MATERIAL BRAND			W.C.	WEIGHT kg	SCALE	
SIZE, SEMI-FINISHED PRODUCTS				STN STANDARD	SORTING NUMBER	
AUXILIARY EQUIPMENT				NOTE	POSITION NUMBER	
ELABORATED BY Ing. Kluska M.						
TESTED BY						
TECHNOLOGIST		TECHNOLOGIST		OLD DRAWING	DRAWING NUMBER	
NAME			Ventilation chimney base		Number of sheets	FALZ-W.15 VKP Sheet

Created: 04.06.2026 04:20:54

Technical changes reserved