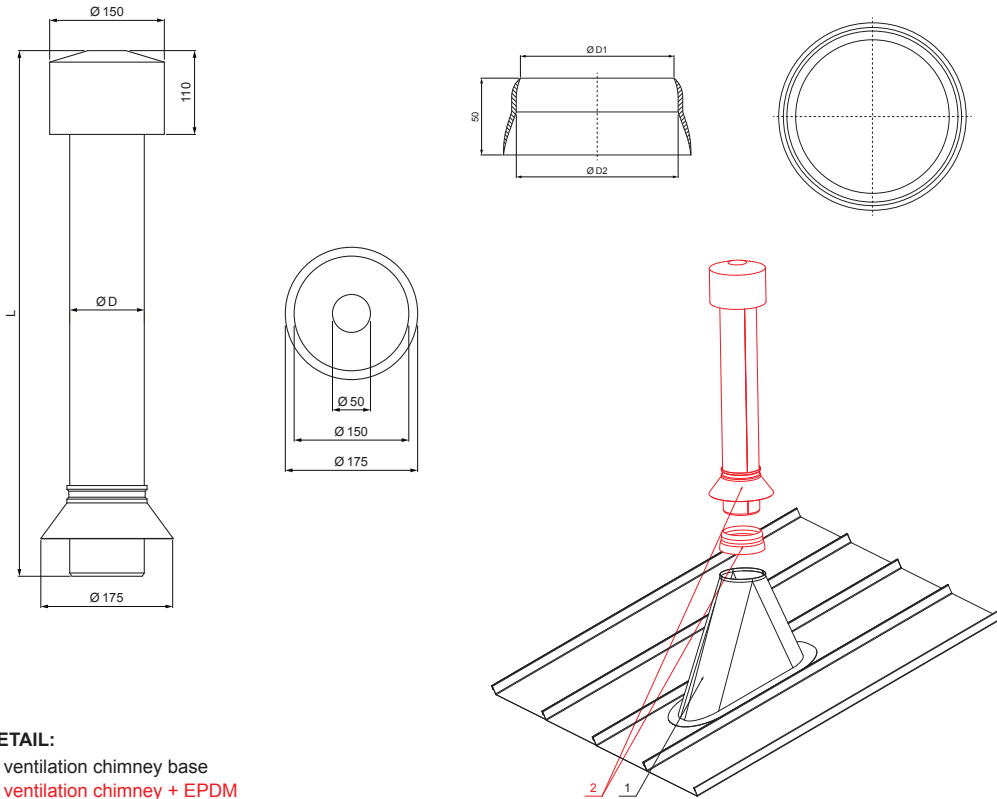


TECHNICAL SHEET

# VENTILATION CHIMNEY + EPDM

# FALZ-W.15 VKE



- DETAIL:**  
 1. ventilation chimney base  
 2. ventilation chimney + EPDM

**TMM** Aluminium pre-painted W.15 – Testa di Moro W.15 – RAL 8028

Dimensions – Ventilation chimney [mm]	
Nominal dimension	Ø D
110	110
125	125

Dimensions – EPDM [mm]		
Nominal dimension	Ø D 1	Ø D 2
110	110	100
125	125	115

INDEX	CHANGE	DATE	SIGNATURE	<b>KJG</b> QUALITY®	Scan code for 3D model	
MATERIAL BRAND			W.C.	WEIGHT kg	SCALE	
SIZE, SEMI-FINISHED PRODUCTS					STN STANDARD	
AUXILIARY EQUIPMENT					SORTING NUMBER	
ELABORATED BY Ing. Kluska M.					NOTE	
TESTED BY					POSITION NUMBER	
TECHNOLOGIST		TECHNOLOGIST		OLD DRAWING	DRAWING NUMBER	
NAME			Ventilation chimney + EPDM		Number of sheets	FALZ-W.15 VKE Sheet

Created: 04.06.2026 03:11:07

Technical changes reserved