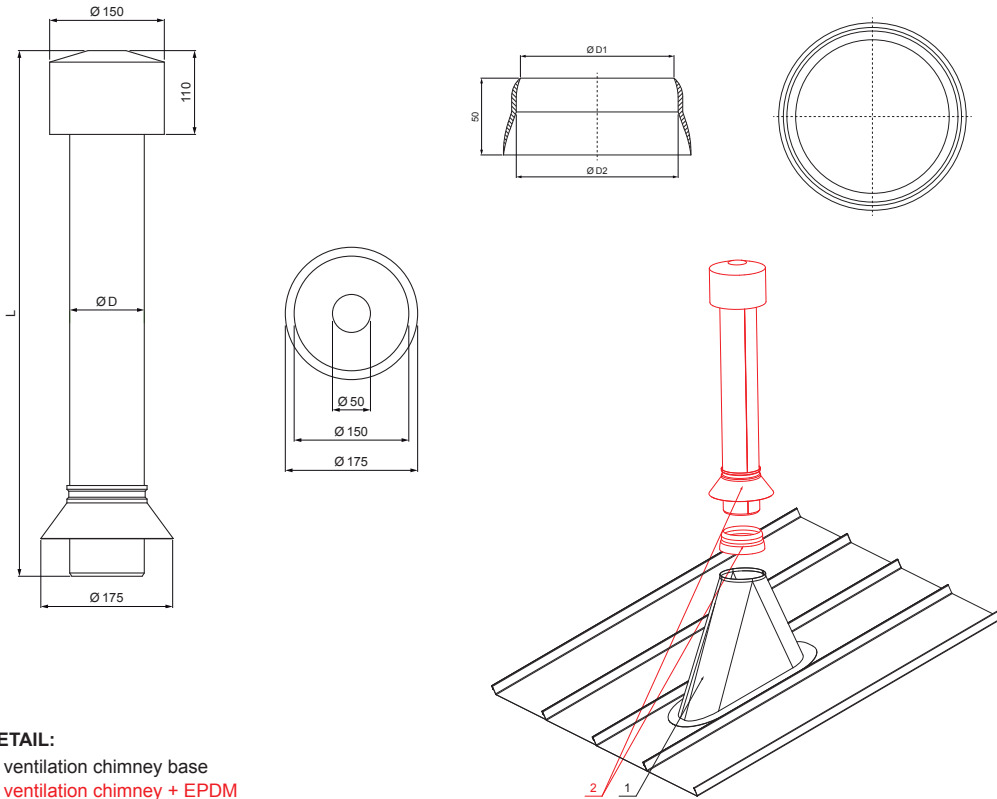


TECHNICAL SHEET

# VENTILATION CHIMNEY + EPDM

# FALZ-W.15 VKE







- DETAIL:**  
 1. ventilation chimney base  
 2. ventilation chimney + EPDM

**SSM** Aluminium pre-painted W.15 – Mouse grey W.15 – RAL 7005

Dimensions – Ventilation chimney [mm]	
Nominal dimension	Ø D
110	110
125	125

Dimensions – EPDM [mm]		
Nominal dimension	Ø D 1	Ø D 2
110	110	100
125	125	115

INDEX	CHANGE	DATE	SIGNATURE	  	
MATERIAL BRAND			W.C.	WEIGHT kg	SCALE
SIZE, SEMI-FINISHED PRODUCTS					
AUXILIARY EQUIPMENT			STN STANDARD		SORTING NUMBER
ELABORATED BY Ing. Kluska M.			NOTE		POSITION NUMBER
TESTED BY					
TECHNOLOGIST		TECHNOLOGIST	OLD DRAWING		DRAWING NUMBER
NAME			Ventilation chimney + EPDM		Number of sheets
					FALZ-W.15 VKE
					Sheet 

Created: 19.01.2026 23:13:56

Technical changes reserved