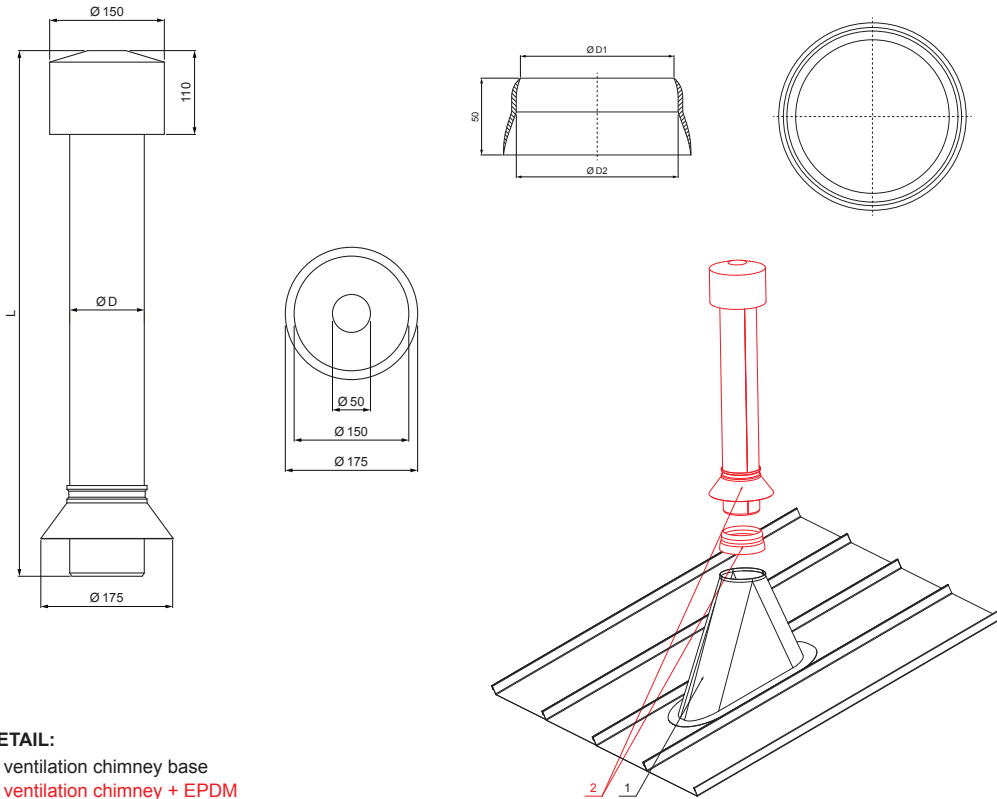


TECHNICAL SHEET

# VENTILATION CHIMNEY + EPDM

# FALZ-W.15 VKE



**MHM** Aluminium pre-painted W.15 – Copper brown W.15 – RAL 8004

**DETAIL:**  
 1. ventilation chimney base  
 2. ventilation chimney + EPDM

Dimensions – Ventilation chimney [mm]	
Nominal dimension	Ø D
110	110
125	125

Dimensions – EPDM [mm]		
Nominal dimension	Ø D 1	Ø D 2
110	110	100
125	125	115

INDEX	CHANGE	DATE	SIGNATURE	<b>KJG</b> QUALITY®	Scan code for 3D model
MATERIAL BRAND			W.C.	WEIGHT kg	SCALE
SIZE, SEMI-FINISHED PRODUCTS					
AUXILIARY EQUIPMENT				STN STANDARD	SORTING NUMBER
ELABORATED BY Ing. Kluska M.				NOTE	POSITION NUMBER
TESTED BY					
TECHNOLOGIST		TECHNOLOGIST		OLD DRAWING	DRAWING NUMBER
NAME Ventilation chimney + EPDM				Number of sheets	FALZ-W.15 VKE Sheet

Created: 07.06.2026 08:41:46

Technical changes reserved