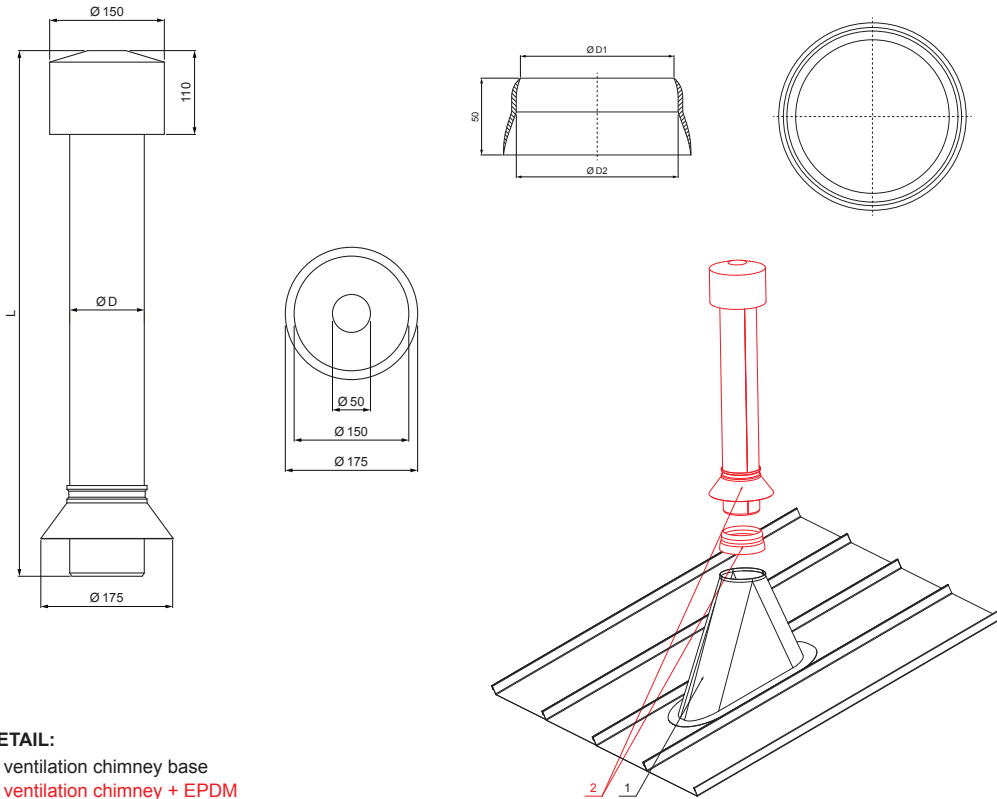


TECHNICAL SHEET

VENTILATION CHIMNEY + EPDM

FALZ-W.15 VKE







BHTM Aluminium pre-painted W.15 – Grey aluminum W.15 – RAL 9007

DETAIL:
 1. ventilation chimney base
 2. ventilation chimney + EPDM

| Dimensions – Ventilation chimney [mm] | |
|---------------------------------------|-----|
| Nominal dimension | Ø D |
| 110 | 110 |
| 125 | 125 |

| Dimensions – EPDM [mm] | | |
|------------------------|-------|-------|
| Nominal dimension | Ø D 1 | Ø D 2 |
| 110 | 110 | 100 |
| 125 | 125 | 115 |

| | | | | | | |
|------------------------------|--------|--------------|----------------------------|---|---|---|
| INDEX | CHANGE | DATE | SIGNATURE |  |  |  |
| | | | | | | |
| MATERIAL BRAND | | | W.C. | WEIGHT kg | SCALE | |
| SIZE, SEMI-FINISHED PRODUCTS | | | | | | |
| AUXILIARY EQUIPMENT | | | | STN STANDARD | SORTING NUMBER | |
| ELABORATED BY Ing. Kluska M. | | | | NOTE | POSITION NUMBER | |
| TESTED BY | | | | | | |
| TECHNOLOGIST | | TECHNOLOGIST | | OLD DRAWING | DRAWING NUMBER | |
| NAME | | | Ventilation chimney + EPDM | | Number of sheets | FALZ-W.15 VKE Sheet  |

Created: 06.06.2026 20:52:26

Technical changes reserved