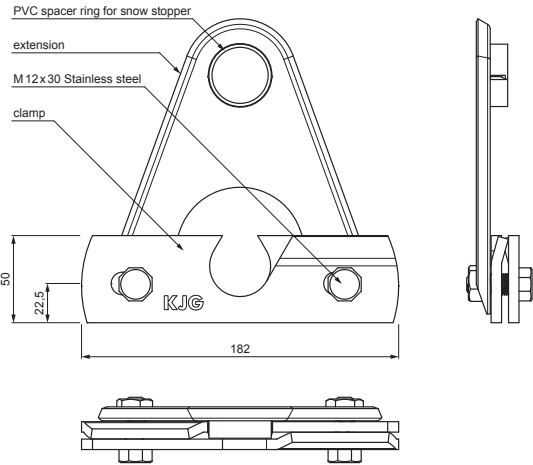
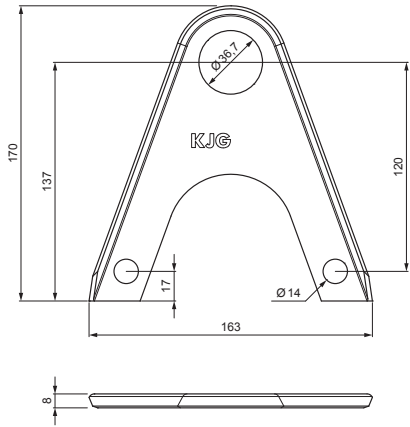


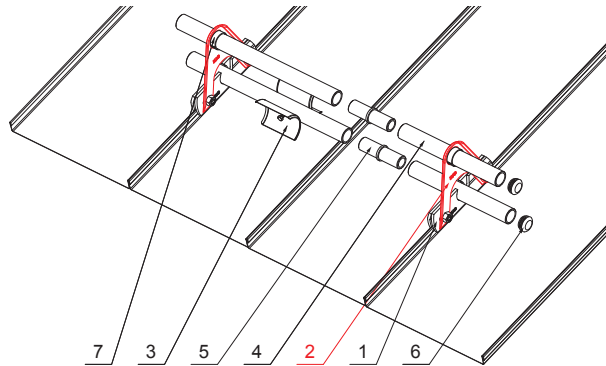
TECHNICAL SHEET

EXTENSION FOR SNOW STOPPER PIPE HOLDER FOR FALZ ZS-W.15ZSF ND/2







DETAIL:

- 1. snow stopper clamp for FALZ
- 2. extension for snow stopper pipe holder for FALZ
- 3. ice breaker for snow stopper for
- 4. pipe for snow stopper
- 5. PVC pipe coupling for snow stopper
- 6. PVC pipe end cap for snow stopper
- 7. PVC spacer ring for snow stopper



SSM Aluminium pre-painted W.15 – Mouse grey W.15 – RAL 7005



| | | | | | | |
|------------------------------|--------|------|---|---|---|---|
| INDEX | CHANGE | DATE | SIGNATURE |  |  |  |
| | | | | | | |
| MATERIAL BRAND | | | W.C. | WEIGHT kg | SCALE | |
| SIZE, SEMI-FINISHED PRODUCTS | | | STN STANDARD | | SORTING NUMBER | |
| AUXILIARY EQUIPMENT | | | NOTE | | POSITION NUMBER | |
| ELABORATED BY Ing. Kluska M. | | | OLD DRAWING | | DRAWING NUMBER | |
| TESTED BY | | | TECHNOLOGIST | | DRAWING NUMBER | |
| NAME | | | Extension for snow stopper pipe holder for falz | | ZS-W.15ZSF ND/2 | |
| | | | Number of sheets | | Sheet  | |

Created: 06.06.2026 23:04:28

Technical changes reserved