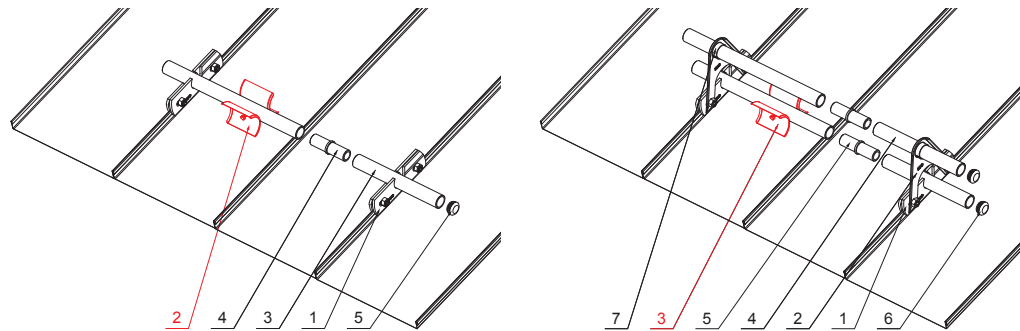
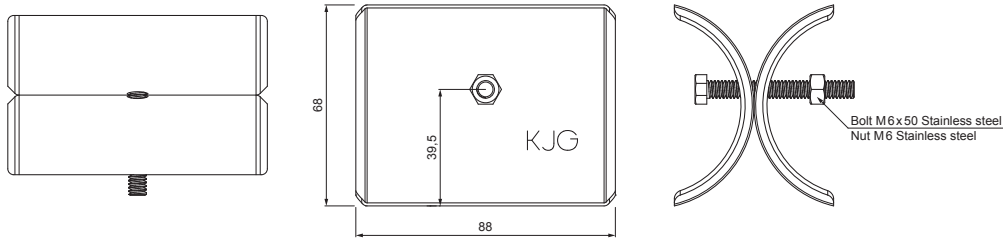


TECHNICAL SHEET

ICE BREAKER FOR SNOW STOPPER FOR FALZ FALZ-WZSF ROLA



DETAIL:




1. snow stopper clamp for falz
2. ice breaker for snow stopper for falz
3. pipe for snow stopper
4. PVC pipe coupling for snow stopper
5. PVC pipe end cap for snow stopper

DETAIL:

1. snow stopper clamp for falz
2. extension for snow stopper pipe holder for falz
3. ice breaker for snow stopper for falz
4. pipe for snow stopper
5. PVC pipe coupling for snow stopper
6. PVC pipe end cap for snow stopper
7. PVC spacer ring for snow stopper



TMM Aluminium pre-painted W.15 – Testa di Moro W.15 – RAL 8028

| | | | | |
|---------------------------------------|------|--------------|---------------------------------------------------------------------------------------------|---------------------------------------------------------------------------------------|
| INDEX CHANGE | DATE | SIGNATURE |  |  |
| | | | | |
| MATERIAL BRAND | | | | |
| SIZE, SEMI-FINISHED PRODUCTS | | | | |
| AUXILIARY EQUIPMENT | | | STN STANDARD | |
| ELABORATED BY Ing. Kluska M. | | | NOTE | |
| TESTED BY | | | SORTING NUMBER | |
| TECHNOLOGIST | | TECHNOLOGIST | POSITION NUMBER | |
| NAME | | | DRAWING NUMBER | |
| Ice breaker for snow stopper for falz | | | FALZ-WZSF ROLA | |
| Number of sheets | | | Sheet  | |

Created: 05.06.2026 01:38:34

Technical changes reserved