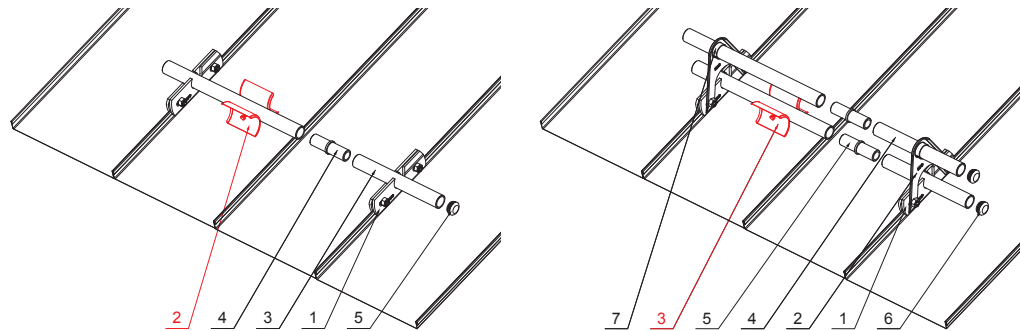
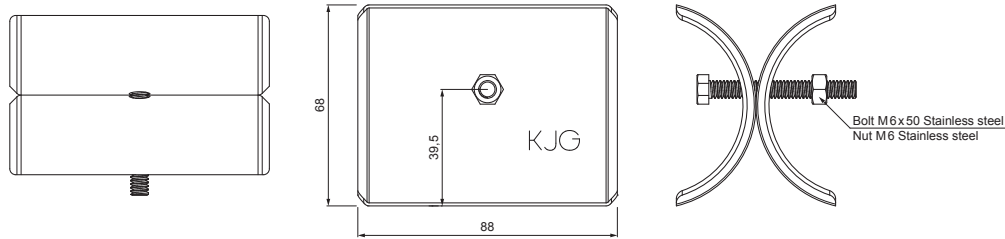


TECHNICAL SHEET

ICE BREAKER FOR SNOW STOPPER FOR FALZ ZS-W.15ZSF ROLA



DETAIL:




1. snow stopper clamp for falz
2. ice breaker for snow stopper for falz
3. pipe for snow stopper
4. PVC pipe coupling for snow stopper
5. PVC pipe end cap for snow stopper

DETAIL:

1. snow stopper clamp for falz
2. extension for snow stopper pipe holder for falz
3. ice breaker for snow stopper for falz
4. pipe for snow stopper
5. PVC pipe coupling for snow stopper
6. PVC pipe end cap for snow stopper
7. PVC spacer ring for snow stopper



OCM Aluminium pre-painted W.15 – Steel red W.15 – RAL 3009

INDEX CHANGE	DATE	SIGNATURE			
MATERIAL BRAND			STN STANDARD		
SIZE, SEMI-FINISHED PRODUCTS			SORTING NUMBER		
AUXILIARY EQUIPMENT			POSITION NUMBER		
ELABORATED BY Ing. Kluska M.			NOTE		
TESTED BY		OLD DRAWING		DRAWING NUMBER	
TECHNOLOGIST		DRAWING NUMBER		DRAWING NUMBER	
NAME			ZS-W.15ZSF ROLA		
Ice breaker for snow stopper for falz			Number of sheets		
			Sheet		

Created: 04.06.2026 10:05:23

Technical changes reserved