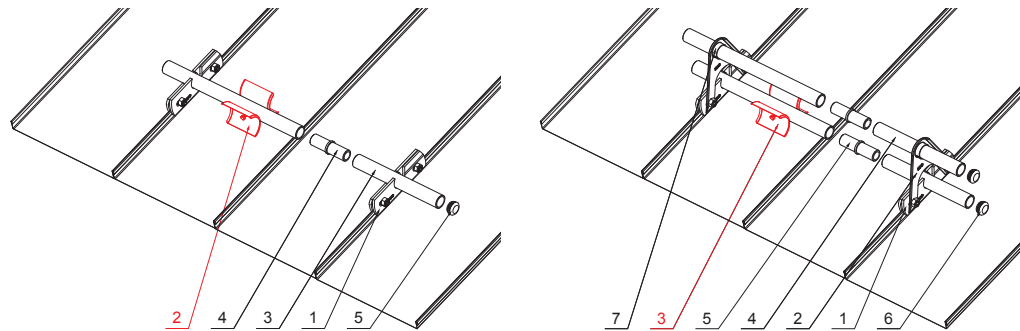
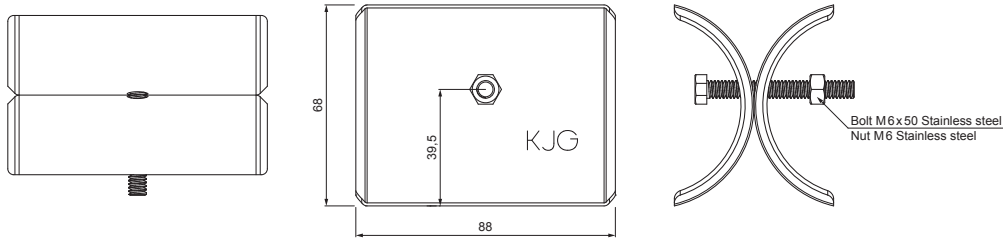


TECHNICAL SHEET

ICE BREAKER FOR SNOW STOPPER FOR FALZ ZS-W.15ZSF ROLA



DETAIL:





1. snow stopper clamp for falz
2. ice breaker for snow stopper for falz
3. pipe for snow stopper
4. PVC pipe coupling for snow stopper
5. PVC pipe end cap for snow stopper

DETAIL:

1. snow stopper clamp for falz
2. extension for snow stopper pipe holder for falz
3. ice breaker for snow stopper for falz
4. pipe for snow stopper
5. PVC pipe coupling for snow stopper
6. PVC pipe end cap for snow stopper
7. PVC spacer ring for snow stopper



BHM Aluminium pre-painted W.15 – White aluminum W.15 – RAL 9006

INDEX CHANGE	DATE	SIGNATURE			
MATERIAL BRAND			SIZE, SEMI-FINISHED PRODUCTS		
AUXILIARY EQUIPMENT			STN STANDARD		SORTING NUMBER
ELABORATED BY Ing. Kluska M.			NOTE		POSITION NUMBER
TESTED BY		TECHNOLOGIST		OLD DRAWING	DRAWING NUMBER
NAME Ice breaker for snow stopper for falz			ZS-W.15ZSF ROLA		
Number of sheets			Sheet 		

Created: 05.06.2026 16:57:45

Technical changes reserved