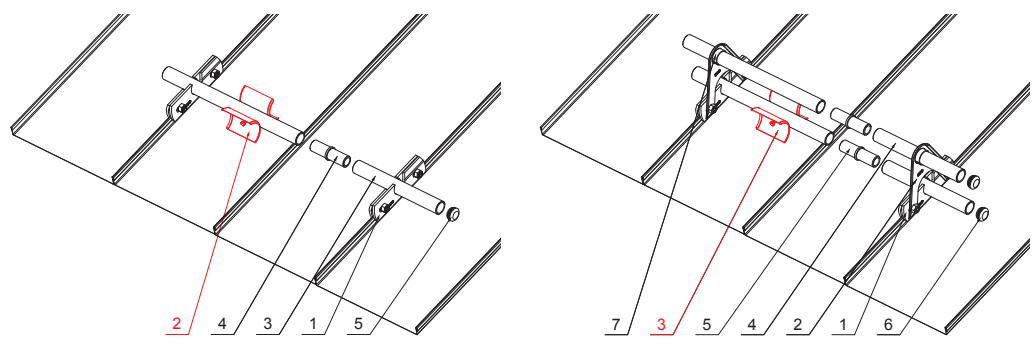
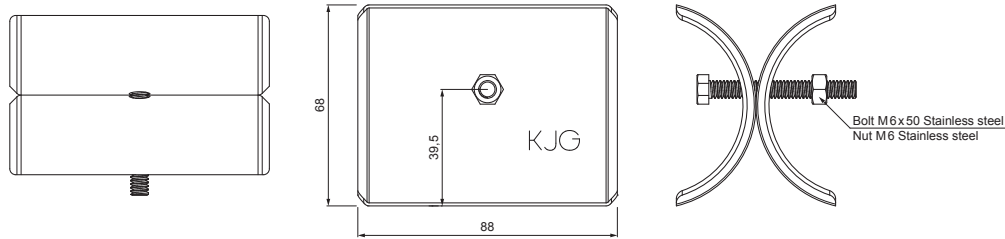


TECHNICAL SHEET

ICE BREAKER FOR SNOW STOPPER FOR FALZ ZS-W.15ZSF ROLA






- DETAIL:**
1. snow stopper clamp for falz
 2. ice breaker for snow stopper for falz
 3. pipe for snow stopper
 4. PVC pipe coupling for snow stopper
 5. PVC pipe end cap for snow stopper

- DETAIL:**
1. snow stopper clamp for falz
 2. extension for snow stopper pipe holder for falz
 3. ice breaker for snow stopper for falz
 4. pipe for snow stopper
 5. PVC pipe coupling for snow stopper
 6. PVC pipe end cap for snow stopper
 7. PVC spacer ring for snow stopper



BHTM Aluminium pre-painted W.15 – Grey aluminum W.15 – RAL 9007

INDEX CHANGE	DATE	SIGNATURE		
MATERIAL BRAND				
SIZE, SEMI-FINISHED PRODUCTS				
AUXILIARY EQUIPMENT			STN STANDARD	
ELABORATED BY Ing. Kluska M.			NOTE	
TESTED BY			POSITION NUMBER	
TECHNOLOGIST		TECHNOLOGIST	OLD DRAWING	DRAWING NUMBER
NAME			ZS-W.15ZSF ROLA	
Ice breaker for snow stopper for falz			Number of sheets	Sheet 

Created: 21.04.2026 21:59:15

Technical changes reserved