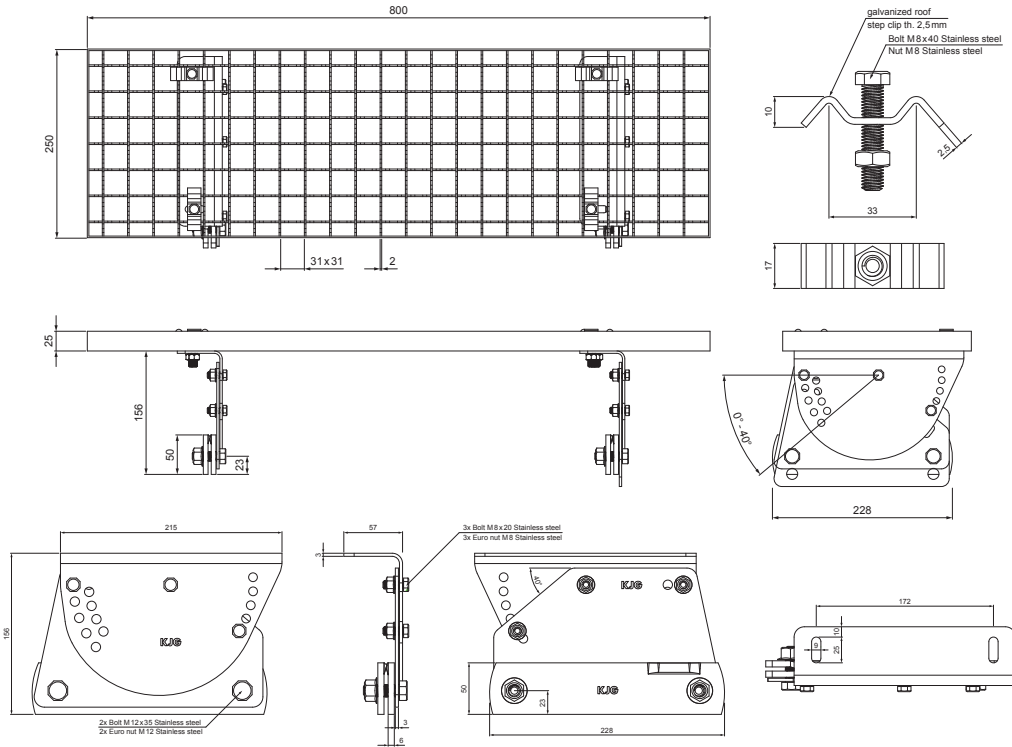


TECHNICAL SHEET

ROOF STEP-SET – SET 800x250

FALZ-W.15 DACH

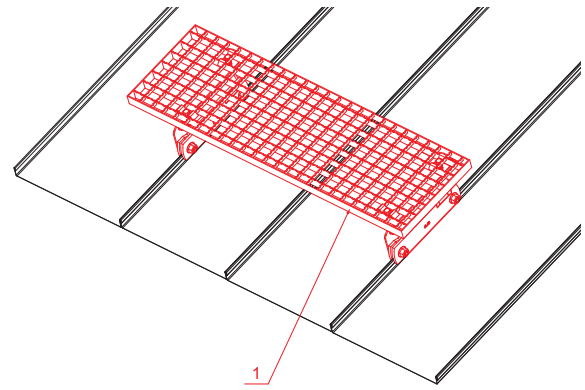


PACKAGING – SET:

- galvanised steel roof step 800x250 – 1 pcs
- aluminium roof step holder – 2 pcs
- bolt M 12x35 Stainless steel – 4 pcs
- nutt M 12 Stainless steel – 4 pcs
- bolt M 8x20 Stainless steel – 6 pcs
- Euro nut M 8 Stainless steel – 6 pcs
- galvanised roof step clip – 4 pcs
- bolt M 8x40 Stainless steel – 4 pcs
- nut M 8 Stainless steel – 4 pcs

DETAIL:

1. roof step-set 800 x 250



TMM Aluminium pre-painted W.15 – Testa di Moro W.15 – RAL 8028

| | | | | | | |
|------------------------------|--------|--------------|-----------|-------------------------|------------------------|--|
| INDEX | CHANGE | DATE | SIGNATURE | KJG QUALITY | Scan code for 3D model | |
| | | | | | | |
| MATERIAL BRAND | | | W.C. | WEIGHT kg | SCALE | |
| SIZE, SEMI-FINISHED PRODUCTS | | | | | | |
| AUXILIARY EQUIPMENT | | | | STN STANDARD | SORTING NUMBER | |
| ELABORATED BY Ing. Kluska M. | | | | NOTE | POSITION NUMBER | |
| TESTED BY | | | | | | |
| TECHNOLOGIST | | TECHNOLOGIST | | OLD DRAWING | DRAWING NUMBER | |
| NAME | | | | Roof step-set 800 x 250 | | |
| | | | | Number of sheets | FALZ-W.15 DACH Sheet | |

Created: 22.04.2026 17:58:16

Technical changes reserved