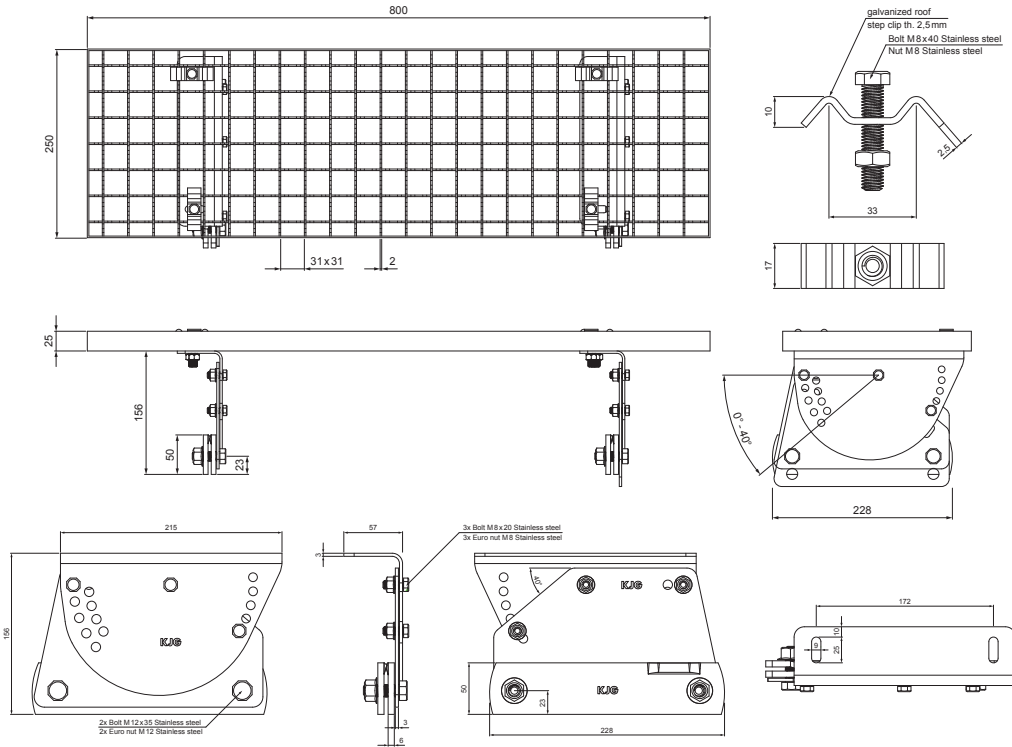


TECHNICAL SHEET

ROOF STEP-SET – SET 800x250

FALZ-W.15 DACH

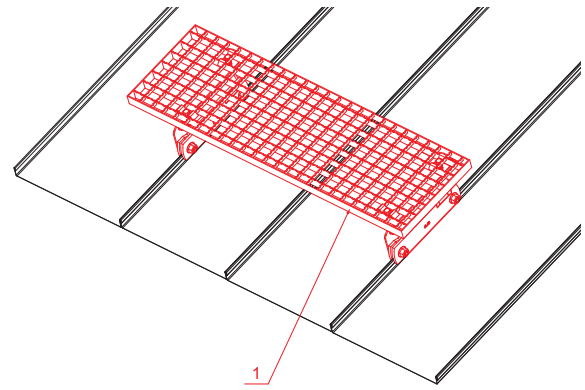


PACKAGING – SET:




- galvanized steel roof step 800x250 – 1 pcs
- aluminium roof step holder – 2 pcs
- bolt M12x35 Stainless steel – 4 pcs
- nutt M12 Stainless steel – 4 pcs
- bolt M8x20 Stainless steel – 6 pcs
- Euro nut M8 Stainless steel – 6 pcs
- galvanized roof step clip – 4 pcs
- bolt M8x40 Stainless steel – 4 pcs
- nut M8 Stainless steel – 4 pcs

DETAIL:

1. roof step-set 800x250



SSM Aluminium pre-painted W.15 – Mouse grey W.15 – RAL 7005

INDEX	CHANGE	DATE	SIGNATURE			
MATERIAL BRAND			W.C.	WEIGHT kg	SCALE	
SIZE, SEMI-FINISHED PRODUCTS						
AUXILIARY EQUIPMENT				STN STANDARD	SORTING NUMBER	
ELABORATED BY Ing. Kluska M.				NOTE	POSITION NUMBER	
TESTED BY						
TECHNOLOGIST		TECHNOLOGIST		OLD DRAWING	DRAWING NUMBER	
NAME				Roof step-set 800 x 250		
				Number of sheets	FALZ-W.15 DACH Sheet	

Created: 07.06.2026 13:05:06

Technical changes reserved