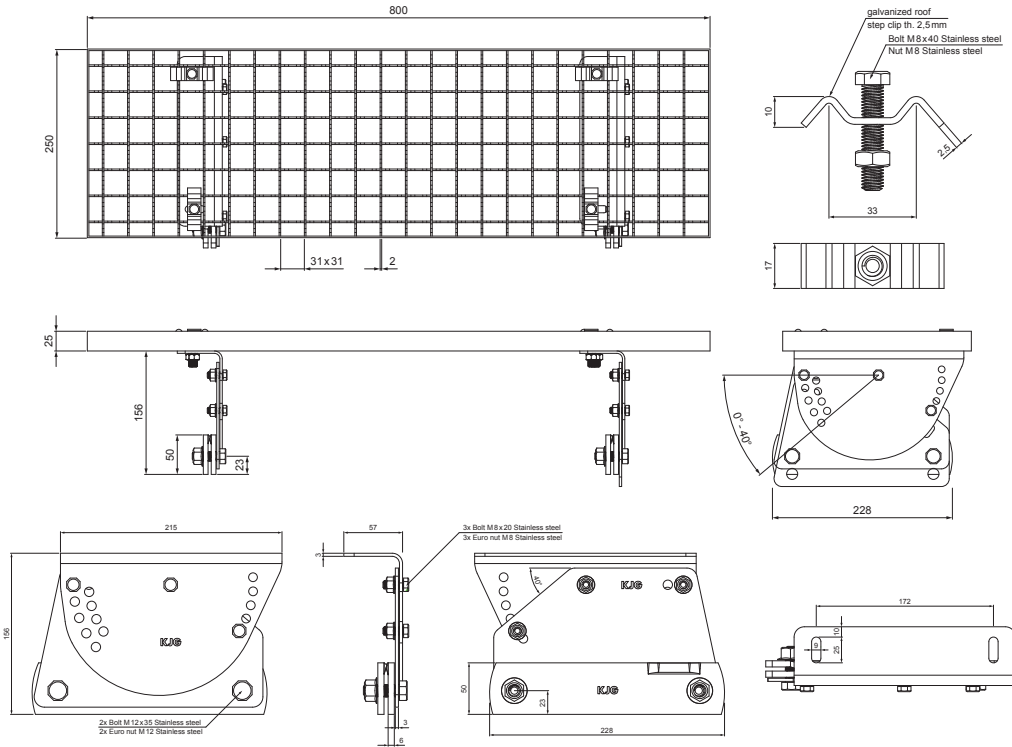


TECHNICAL SHEET

# ROOF STEP-SET – SET 800x250

# FALZ-W.15 DACH

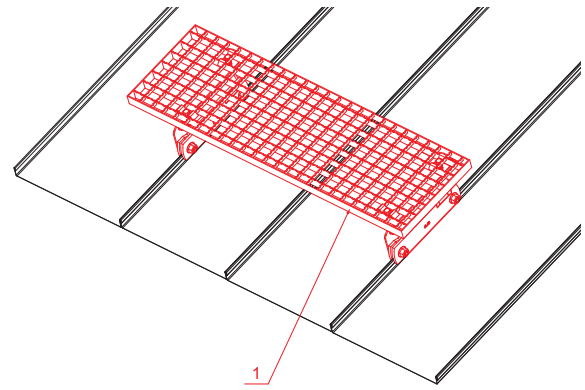


**PACKAGING – SET:**

- galvanised steel roof step 800x250 – 1 pcs
- aluminium roof step holder – 2 pcs
- bolt M12x35 Stainless steel – 4 pcs
- nut M12 Stainless steel – 4 pcs
- bolt M8x20 Stainless steel – 6 pcs
- Euro nut M8 Stainless steel – 6 pcs
- galvanised roof step clip – 4 pcs
- bolt M8x40 Stainless steel – 4 pcs
- nut M8 Stainless steel – 4 pcs

**DETAIL:**

- 1. roof step-set 800x250



**BHM** Aluminium pre-painted W.15 – White aluminum W.15 – RAL 9006

INDEX CHANGE	DATE	SIGNATURE		
MATERIAL BRAND				
SIZE, SEMI-FINISHED PRODUCTS				
AUXILIARY EQUIPMENT			STN STANDARD	SORTING NUMBER
ELABORATED BY Ing. Kluska M.			NOTE	POSITION NUMBER
TESTED BY				
TECHNOLOGIST		TECHNOLOGIST	OLD DRAWING	DRAWING NUMBER
NAME			Roof step-set 800 x 250	
			Number of sheets	FALZ-W.15 DACH Sheet

Created: 05.06.2026 05:52:15

Technical changes reserved