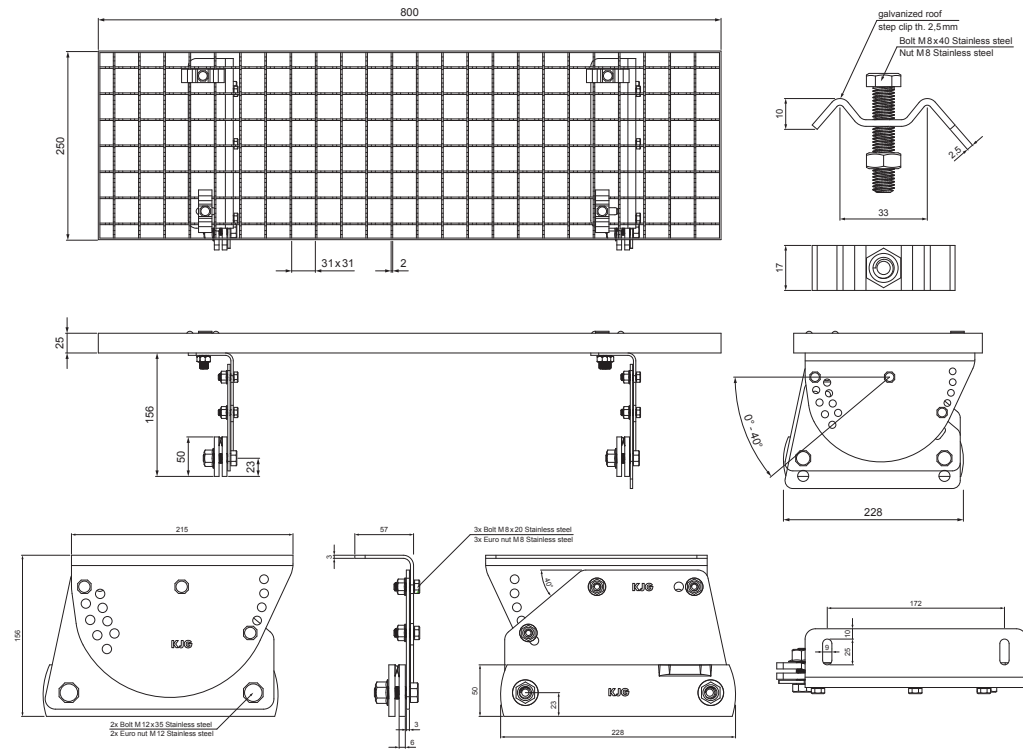


TECHNICAL SHEET

ROOF STEP-SET – SET 800x250

FALZ-W.15 DACH

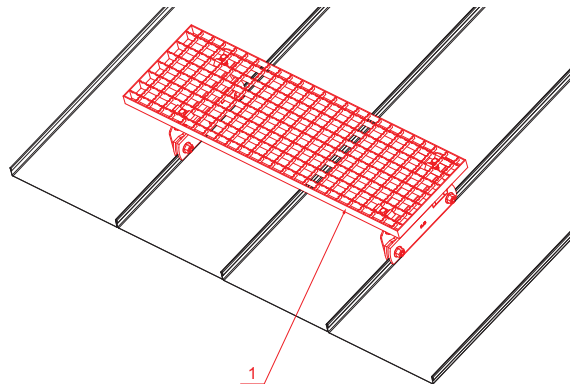


PACKAGING – SET:

- galvanized steel roof step 800x250 – 1 pcs
- aluminium roof step holder – 2 pcs
- bolt M12x35 Stainless steel – 4 pcs
- nutt M12 Stainless steel – 4 pcs
- bolt M8x20 Stainless steel – 6 pcs
- Euro nut M8 Stainless steel – 6 pcs
- galvanized roof step clip – 4 pcs
- bolt M8x40 Stainless steel – 4 pcs
- nut M8 Stainless steel – 4 pcs

DETAIL:

1. roof step-set 800x250



ZSM Aluminium pre-painted W.15 – Zinc grey W.15 – RAL extra

INDEX	CHANGE	DATE	SIGNATURE		
MATERIAL BRAND			W.C.	WEIGHT kg	SCALE
SIZE, SEMI-FINISHED PRODUCTS				STN STANDARD	SORTING NUMBER
AUXILIARY EQUIPMENT				NOTE	POSITION NUMBER
ELABORATED BY Ing. Kluska M.					
TESTED BY		TECHNOLOGIST		OLD DRAWING	DRAWING NUMBER
NAME				Roof step-set 800 x 250	
			Number of sheets	FALZ-W.15 DACH	Sheet

Created: 06.06.2026 07:13:17

Technical changes reserved