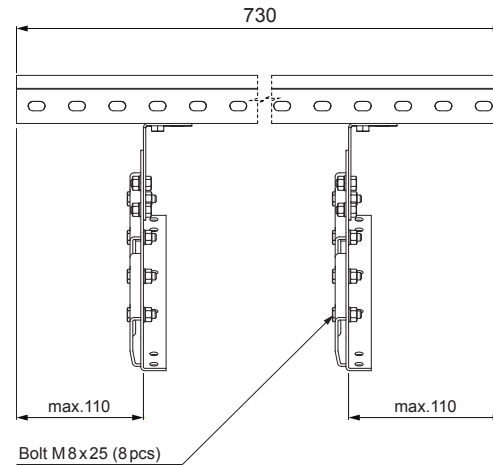
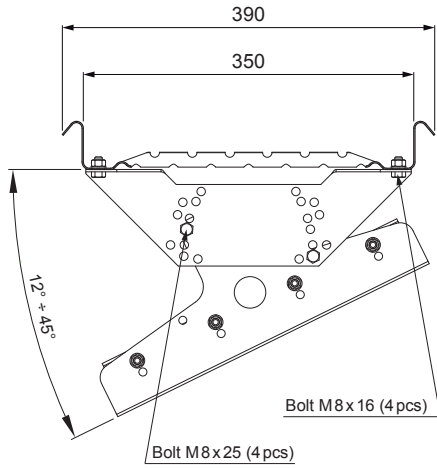


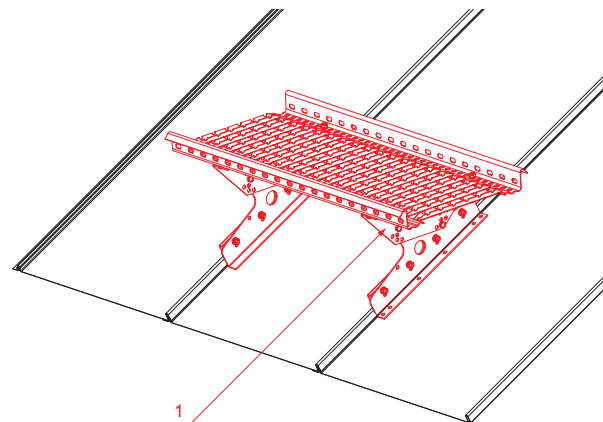
TECHNICAL SHEET

# WALKWAY FOR CLICK PANEL





# CLICK-DACH



**DETAIL:**  
1. walkway for CLICK panel



**IC** Galvanized steel pre-painted – Intense black – RAL 9005

INDEX	CHANGE	DATE	SIGNATURE			
MATERIAL BRAND			W.C.	WEIGHT kg	SCALE	
SIZE, SEMI-FINISHED PRODUCTS				STN STANDARD	SORTING NUMBER	
AUXILIARY EQUIPMENT				NOTE	POSITION NUMBER	
ELABORATED BY Ing. Kluska M.						
TESTED BY						
TECHNOLOGIST		TECHNOLOGIST		OLD DRAWING	DRAWING NUMBER	
NAME				CLICK-DACH		
Walkway for CLICK panel				Number of sheets	Sheet 	

Created: 04.06.2026 00:43:52

Technical changes reserved