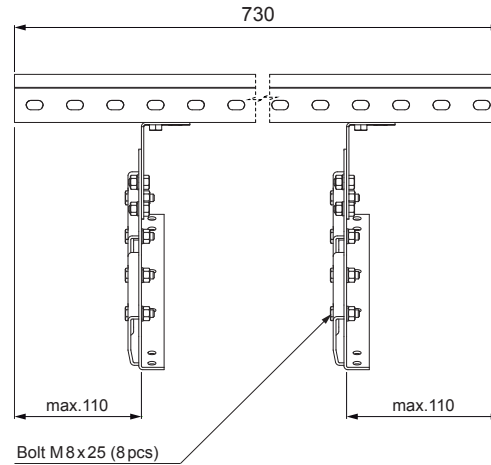
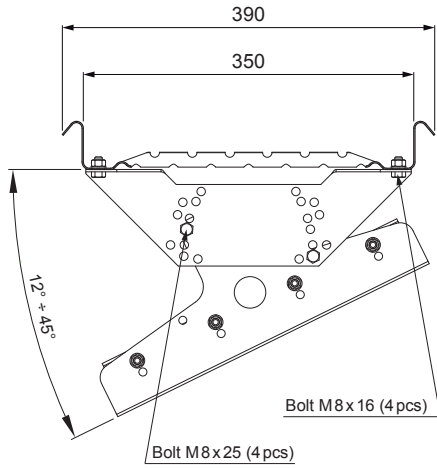


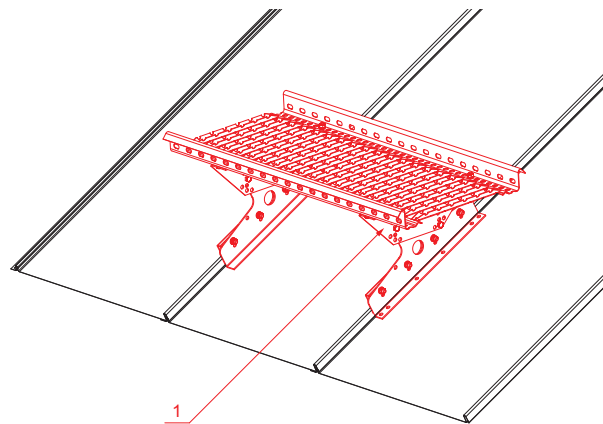
TECHNICAL SHEET

WALKWAY FOR CLICK PANEL





CLICK-DACH



DETAIL:
1. walkway for CLICK panel



OC Galvanized steel pre-painted – Steel red – RAL 3009

INDEX	CHANGE	DATE	SIGNATURE			
MATERIAL BRAND			W.C.	WEIGHT kg	SCALE	
SIZE, SEMI-FINISHED PRODUCTS				STN STANDARD	SORTING NUMBER	
AUXILIARY EQUIPMENT				NOTE	POSITION NUMBER	
ELABORATED BY Ing. Kluska M.						
TESTED BY						
TECHNOLOGIST		TECHNOLOGIST		OLD DRAWING	DRAWING NUMBER	
NAME				CLICK-DACH		
Walkway for CLICK panel				Number of sheets	Sheet 	

Created: 05.06.2026 20:13:29

Technical changes reserved