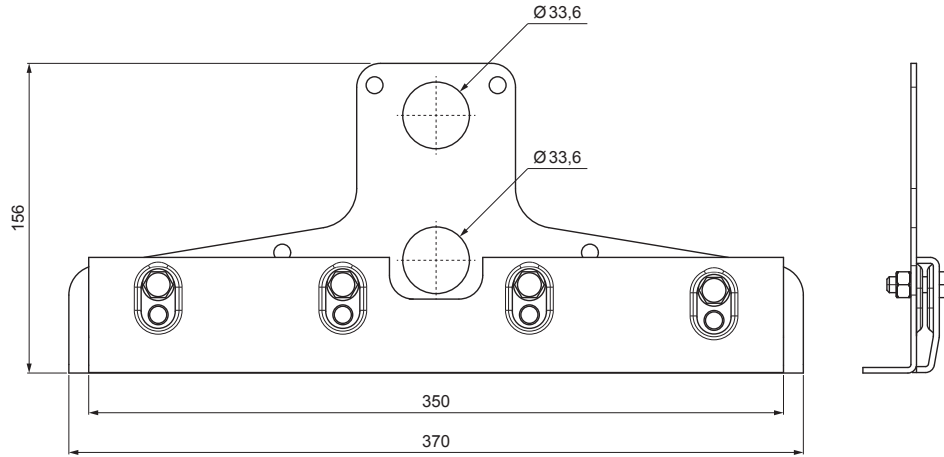


TECHNICAL SHEET

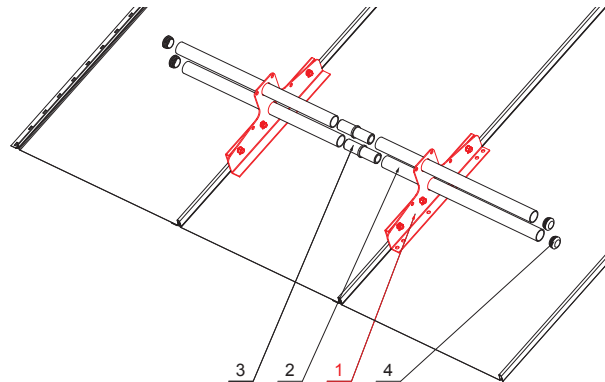
SNOW STOPPER TWO-PIPE

ZS-CLICK ND 2







DETAIL:

- 1. snow stopper two-pipe
- 2. pipe for snow stopper
- 3. PVC pipe coupling for snow stopper
- 4. PVC pipe end cap for snow stopper



AN Galvanized steel pre-painted – Anthracite – RAL 7016

INDEX CHANGE		DATE	SIGNATURE			
MATERIAL BRAND			W.C.	WEIGHT kg	SCALE	
SIZE, SEMI-FINISHED PRODUCTS				STN STANDARD	SORTING NUMBER	
AUXILIARY EQUIPMENT				NOTE	POSITION NUMBER	
ELABORATED BY Ing. Kluska M.						
TESTED BY						
TECHNOLOGIST		TECHNOLOGIST		OLD DRAWING	DRAWING NUMBER	
NAME Snow stopper two-pipe				Number of sheets	ZS-CLICK ND 2 Sheet 	

Created: 04.06.2026 06:57:40

Technical changes reserved

