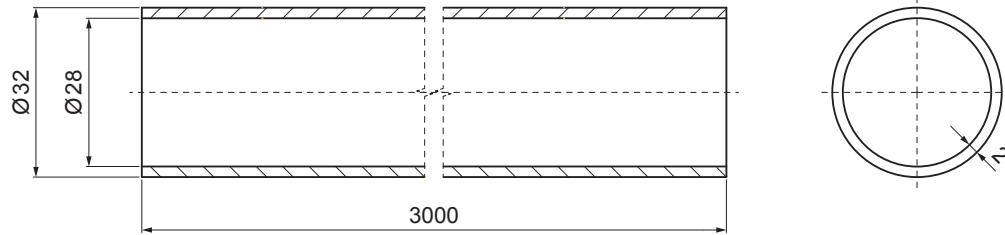


TECHNICAL SHEET

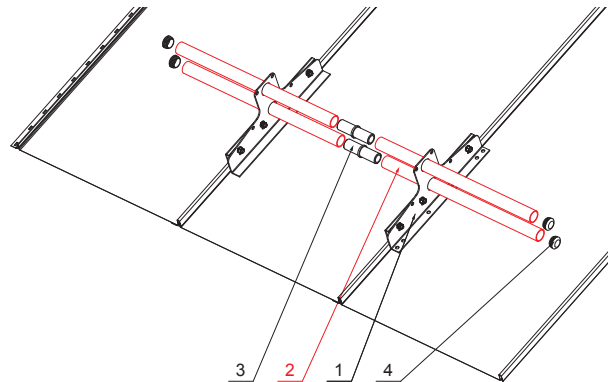
# PIPE FOR SNOW STOPPER

# ZS-WZSF RU 32







**DETAIL:**

- 1. snow stopper two-pipe
- 2. pipe for snow stopper
- 3. PVC pipe coupling for snow stopper
- 4. PVC pipe end cap for snow stopper



**BH** Color : Aluminium prepainted – White aluminum – RAL 9006  
Material: Aluminium – Natur



INDEX	CHANGE	DATE	SIGNATURE			
MATERIAL BRAND			W.C.	WEIGHT kg	SCALE	
SIZE, SEMI-FINISHED PRODUCTS					STN STANDARD	
AUXILIARY EQUIPMENT					SORTING NUMBER	
ELABORATED BY Ing. Kluska M.					NOTE	
TESTED BY					POSITION NUMBER	
TECHNOLOGIST		TECHNOLOGIST		OLD DRAWING	DRAWING NUMBER	
NAME				Pipe for snow stopper		
				Number of sheets	ZS-WZSF RU 32	Sheet 

Created: 06.06.2026 17:08:12

Technical changes reserved