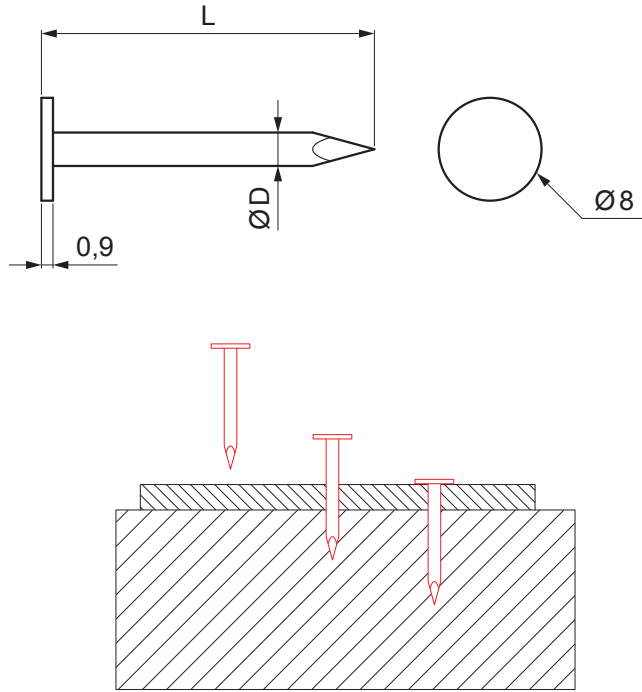


TECHNICAL SHEET





ROOFING NAIL WITH 8 mm HEAD

SM-KCPB-H8



P Galvanized steel – Natur

Dimensions [mm]		
Nominal dimension	Ø D	L
25/25	2,5	25
25/32	2,5	32
25/36	2,5	36
28/40	2,8	40

INDEX	CHANGE	DATE	SIGNATURE	  	
MATERIAL BRAND			W.C.	WEIGHT kg	SCALE
SIZE, SEMI-FINISHED PRODUCTS			STN STANDARD		SORTING NUMBER
AUXILIARY EQUIPMENT			NOTE		POSITION NUMBER
ELABORATED BY Ing. Kluska M.					
TESTED BY			OLD DRAWING		DRAWING NUMBER
TECHNOLOGIST			TECHNOLOGIST		
NAME			Roofing nail with 8 mm head		Number of sheets
					SM-KCPB-H8
					Sheet 

Created: 06.06.2026 09:22:18

Technical changes reserved