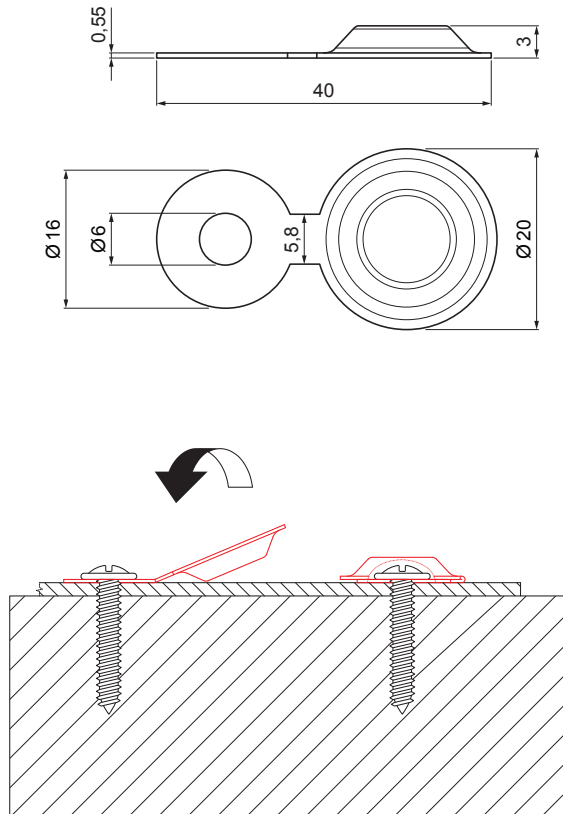





TECHNICAL SHEET

# MOUNTING CAP WITH WASHER 20/3

IT-KMP



**P** Galvanized steel – Natur

INDEX	CHANGE	DATE	SIGNATURE		
MATERIAL BRAND			W.C.	WEIGHT kg	SCALE
SIZE, SEMI-FINISHED PRODUCTS				STN STANDARD	SORTING NUMBER
AUXILIARY EQUIPMENT				NOTE	POSITION NUMBER
ELABORATED BY Ing. Kluska M.					
TESTED BY		TECHNOLOGIST		OLD DRAWING	DRAWING NUMBER
NAME				Number of sheets	
Mounting cap with washer 20/3				IT-KMP	
				Sheet 	

Created: 05.06.2026 20:29:19

Technical changes reserved