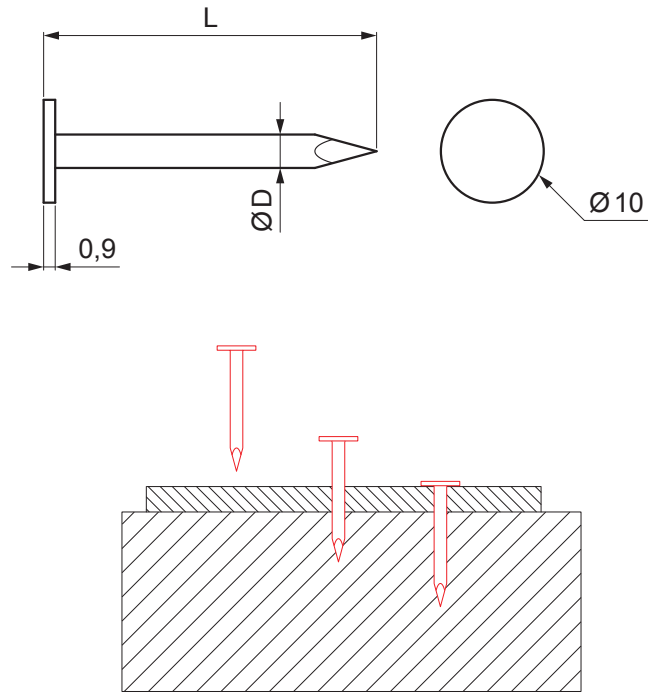


TECHNICAL SHEET





ROOFING NAIL WITH 10 mm HEAD

SM-MKCP-H10



M Copper – Natur

Dimensions [mm]		
Nominal dimension	Ø D	L
28/25	2,8	25
28/30	2,8	30
28/35	2,8	35
28/40	2,8	40

INDEX	CHANGE	DATE	SIGNATURE	  	
MATERIAL BRAND			W.C.	WEIGHT kg	SCALE
SIZE, SEMI-FINISHED PRODUCTS				STN STANDARD	SORTING NUMBER
AUXILIARY EQUIPMENT				NOTE	POSITION NUMBER
ELABORATED BY Ing. Kluska M.					
TESTED BY					
TECHNOLOGIST		TECHNOLOGIST		OLD DRAWING	DRAWING NUMBER
NAME			Roofing nail with 10 mm head		Number of sheets
					SM-MKCP-H10
					Sheet 

Created: 06.06.2026 12:02:54

Technical changes reserved