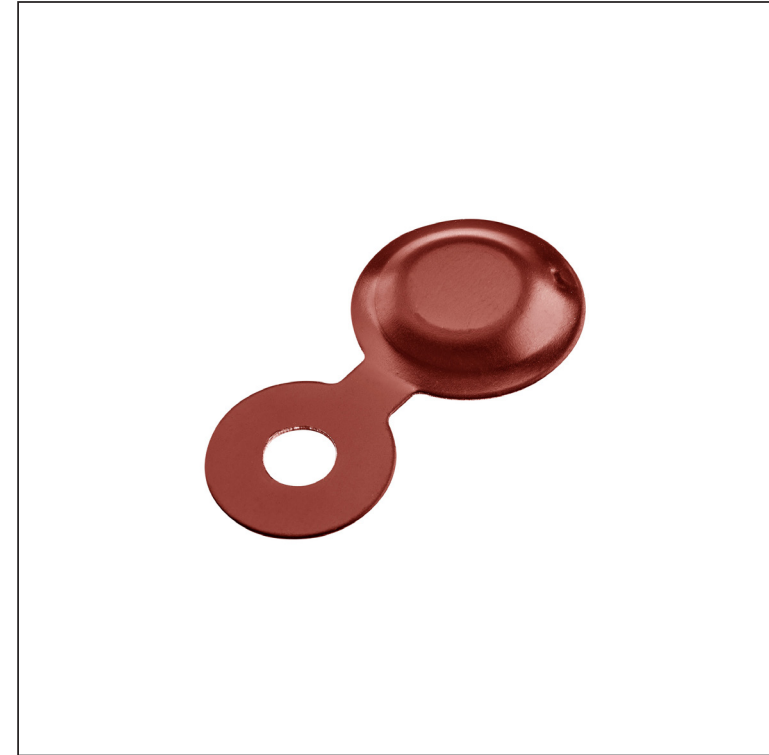
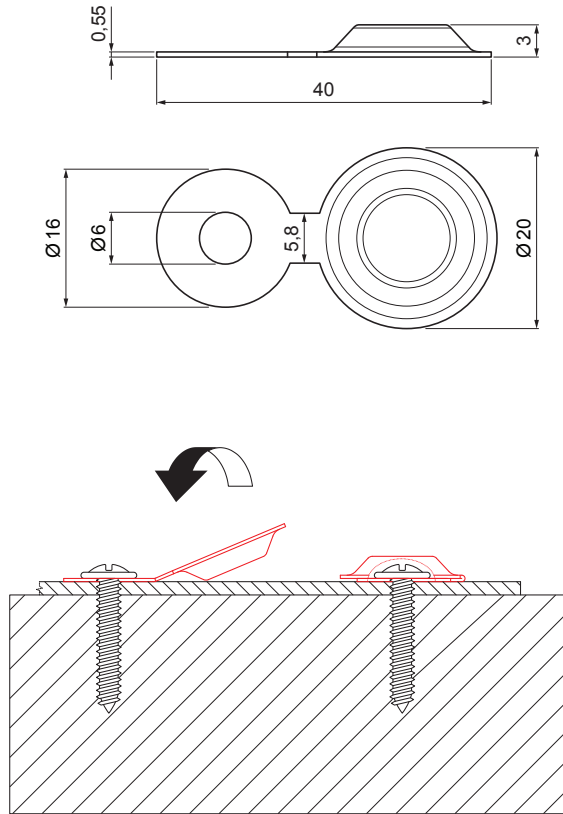






TECHNICAL SHEET

# MOUNTING CAP WITH WASHER 20/3

IT-KMP



**OC** Galvanized steel pre-painted – Steel red – RAL 3009

INDEX	CHANGE	DATE	SIGNATURE			
MATERIAL BRAND			W.C.	WEIGHT kg	SCALE	
SIZE, SEMI-FINISHED PRODUCTS				STN STANDARD	SORTING NUMBER	
AUXILIARY EQUIPMENT				NOTE	POSITION NUMBER	
ELABORATED BY Ing. Kluska M.						
TESTED BY						
TECHNOLOGIST		TECHNOLOGIST		OLD DRAWING	DRAWING NUMBER	
NAME						
Mounting cap with washer 20/3				Number of sheets	IT-KMP	
					Sheet	

Created: 06.06.2026 20:10:08

Technical changes reserved