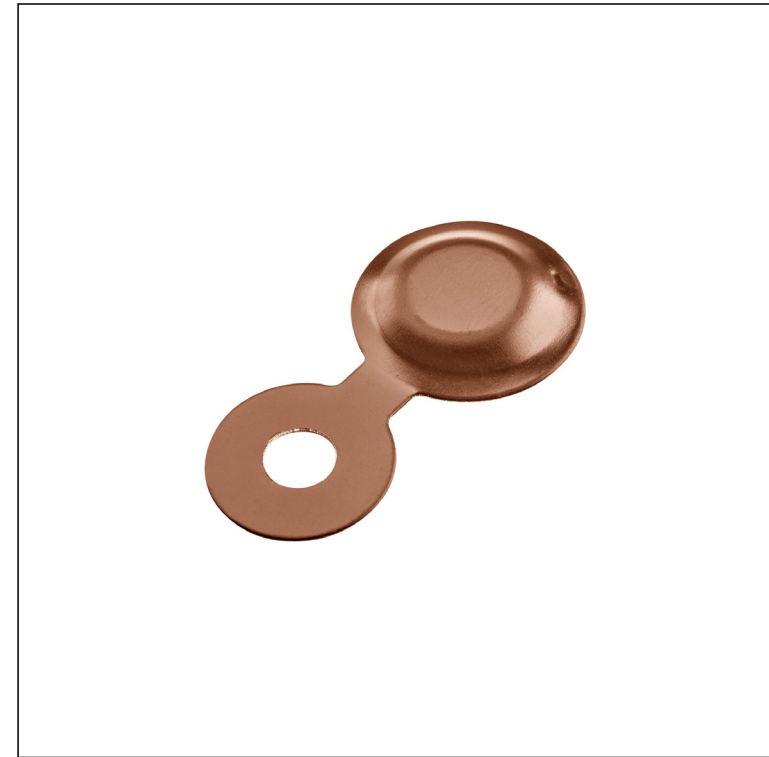
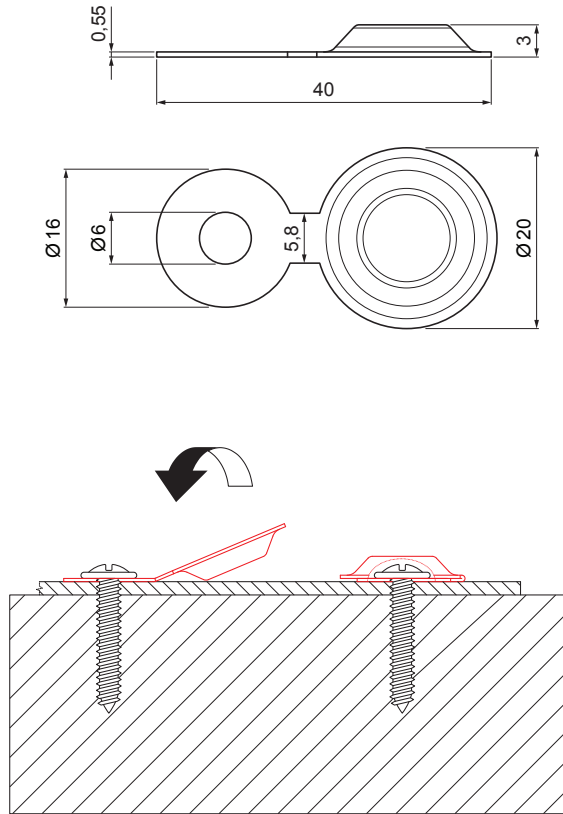


TECHNICAL SHEET

MOUNTING CAP WITH WASHER 20/3

IT-KMP



MH Galvanized steel pre-painted – Copper brown – RAL 8004

INDEX	CHANGE	DATE	SIGNATURE	KJG QUALITY®	Scan code for 3D model	
MATERIAL BRAND			W.C.	WEIGHT kg	SCALE	
SIZE, SEMI-FINISHED PRODUCTS			STN STANDARD		SORTING NUMBER	
AUXILIARY EQUIPMENT			NOTE		POSITION NUMBER	
ELABORATED BY Ing. Kluska M.			OLD DRAWING		DRAWING NUMBER	
TESTED BY			TECHNOLOGIST		DRAWING NUMBER	
NAME			MOUNTING CAP WITH WASHER 20/3		IT-KMP	
			Number of sheets		Sheet	

Created: 04.06.2026 05:57:13

Technical changes reserved