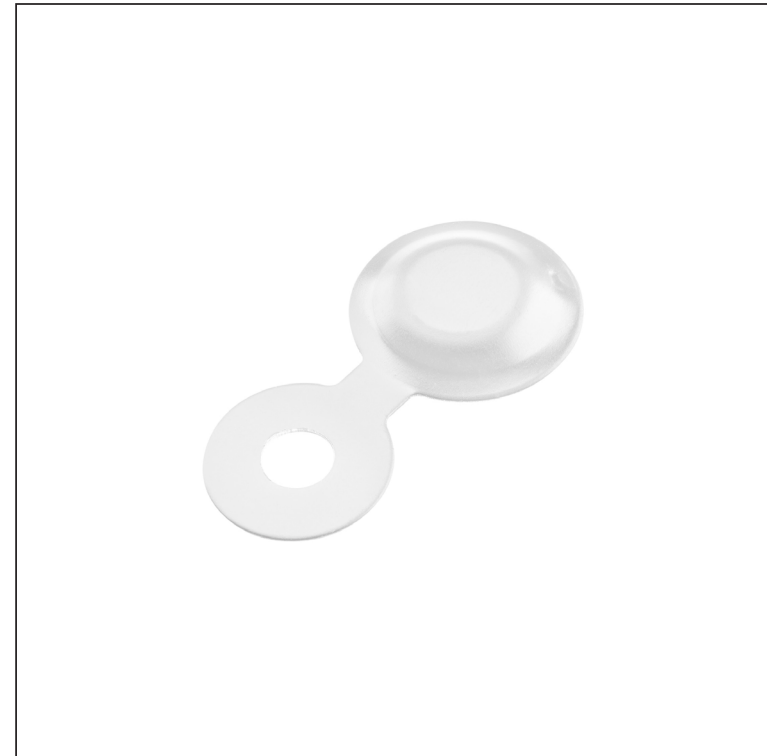
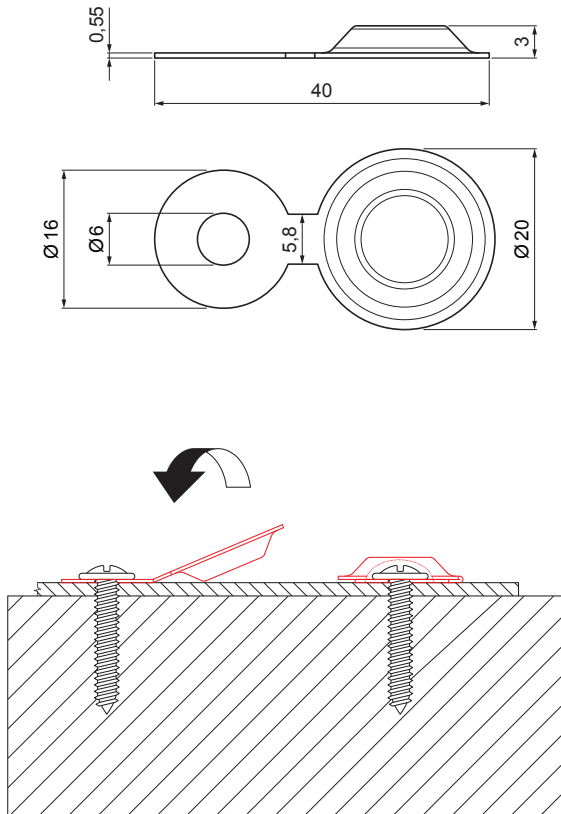






TECHNICAL SHEET

# MOUNTING CAP WITH WASHER 20/3

IT-KMP



**SB** Galvanized steel prepainted – Grey white – RAL 9002

INDEX	CHANGE	DATE	SIGNATURE			
MATERIAL BRAND			W.C.	WEIGHT kg	SCALE	
SIZE, SEMI-FINISHED PRODUCTS			STN STANDARD		SORTING NUMBER	
AUXILIARY EQUIPMENT			NOTE		POSITION NUMBER	
ELABORATED BY Ing. Kluska M.			OLD DRAWING		DRAWING NUMBER	
TESTED BY			TECHNOLOGIST		DRAWING NUMBER	
NAME			MOUNTING CAP WITH WASHER 20/3		IT-KMP	
			Number of sheets		Sheet 	

Created: 06.06.2026 04:39:28

Technical changes reserved