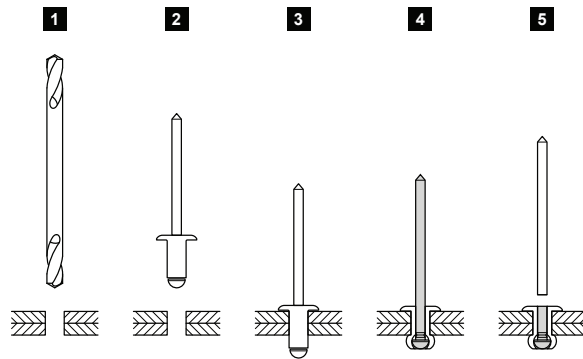


# TECHNICAL SHEET

## TEAR-OFF RIVET

# SM-HNO



**SS** Aluminium pre-painted – Mouse grey – RAL 7005

Dimensions [mm]				
Nominal dimension	Ø D	Ø D1	L	L1
4,0 x 8	4,0	2,2	8	30
4,0 x 10	4,0	2,2	10	30

INDEX	CHANGE	DATE	SIGNATURE	<b>KJG</b> QUALITY®	Scan code for 3D model	
MATERIAL BRAND			W.C.	WEIGHT kg	SCALE	
SIZE, SEMI-FINISHED PRODUCTS			STN STANDARD		SORTING NUMBER	
AUXILIARY EQUIPMENT			NOTE		POSITION NUMBER	
ELABORATED BY Ing. Kluska M.			OLD DRAWING		DRAWING NUMBER	
TESTED BY			TECHNOLOGIST		DRAWING NUMBER	
NAME			Tear-off rivet		Number of sheets	
					SM-HNO	
					Sheet	

Created: 07.06.2026 18:54:48

Technical changes reserved