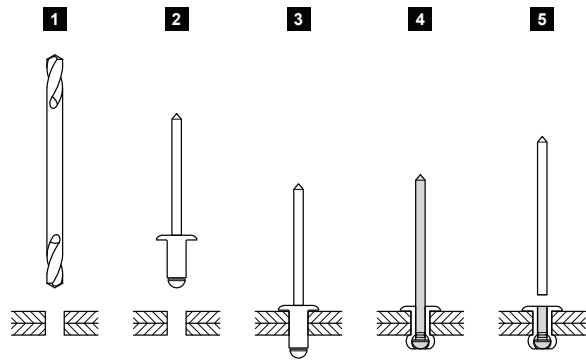


TECHNICAL SHEET





# TEAR-OFF RIVET

# SM-HNO



**BH** Aluminium pre-painted – White aluminum – RAL 9006

Dimensions [mm]				
Nominal dimension	Ø D	Ø D1	L	L1
4,0 x 8	4,0	2,2	8	30
4,0 x 10	4,0	2,2	10	30

INDEX	CHANGE	DATE	SIGNATURE	  	
MATERIAL BRAND			W.C.	WEIGHT kg	SCALE
SIZE, SEMI-FINISHED PRODUCTS				STN STANDARD	SORTING NUMBER
AUXILIARY EQUIPMENT				NOTE	POSITION NUMBER
ELABORATED BY Ing. Kluska M.					
TESTED BY					
TECHNOLOGIST		TECHNOLOGIST		OLD DRAWING	DRAWING NUMBER
NAME			Tear-off rivet		
			Number of sheets		SM-HNO Sheet 

Created: 07.06.2026 18:54:43

Technical changes reserved