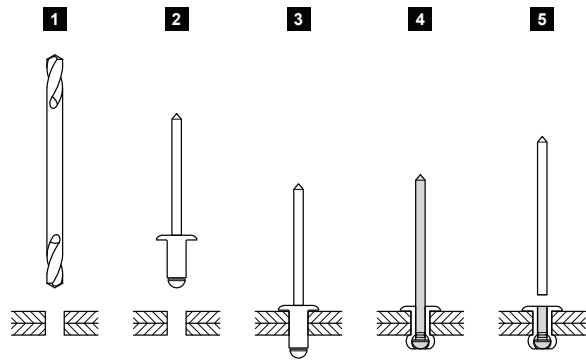


TECHNICAL SHEET

# TEAR-OFF RIVET

# SM-HNO



**IC** Aluminium pre-painted – Intense black – RAL 9005

Dimensions [mm]				
Nominal dimension	Ø D	Ø D1	L	L1
4,0 x 8	4,0	2,2	8	30
4,0 x 10	4,0	2,2	10	30

INDEX	CHANGE	DATE	SIGNATURE	<b>KJG</b> QUALITY®	Scan code for 3D model
MATERIAL BRAND			W.C.	WEIGHT kg	SCALE
SIZE, SEMI-FINISHED PRODUCTS				STN STANDARD	SORTING NUMBER
AUXILIARY EQUIPMENT				NOTE	POSITION NUMBER
ELABORATED BY Ing. Kluska M.					
TESTED BY				OLD DRAWING	DRAWING NUMBER
TECHNOLOGIST		TECHNOLOGIST			
NAME				SM-HNO	
Tear-off rivet				Number of sheets	Sheet

Created: 04.06.2026 12:16:37

Technical changes reserved