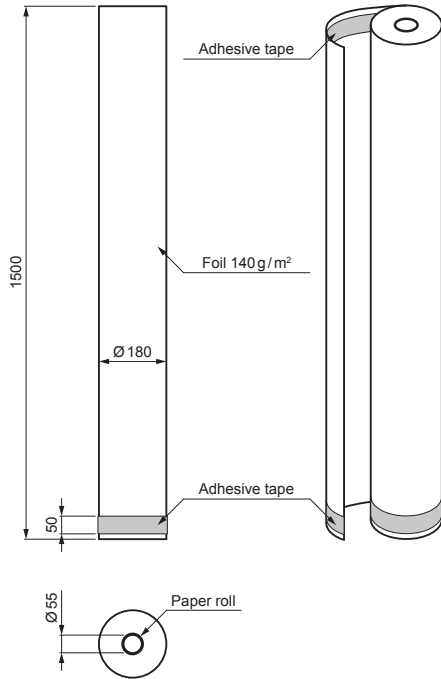


TECHNICAL SHEET

ROOF MEMBRANE 140 g ADHESIVE TAPE





SD-EUV FOLIA 140GLP



 Polypropylene – laminate

Technical parameter	
Roll dimensions	1,5 m x 50 l.m. = 75 m ²
Area weight	c.a. 140 g/m ²
Reaction to fire	E
Water vapour transmission properties	Sd = 0,02 m (+/-0,019 m)
Resistance to UV radiation	4 months *
Weight	10,725 kg

* UV stabilization even up to 4 months according to artificial aging carried out in the laboratory relating to the conditions of average sun exposure for the climate of Central Europe

INDEX	CHANGE	DATE	SIGNATURE			
MATERIAL BRAND			W.C.	WEIGHT kg	SCALE	
SIZE, SEMI-FINISHED PRODUCTS						
AUXILIARY EQUIPMENT			STN STANDARD		SORTING NUMBER	
ELABORATED BY Ing. Kluska M.			NOTE		POSITION NUMBER	
TESTED BY		TECHNOLOGIST		OLD DRAWING		DRAWING NUMBER
NAME				Roof membrane 140 g adhesive tape		SD-EUV FOLIA 140GLP
				Number of sheets		Sheet 

Created: 06.06.2026 22:46:34

Technical changes reserved