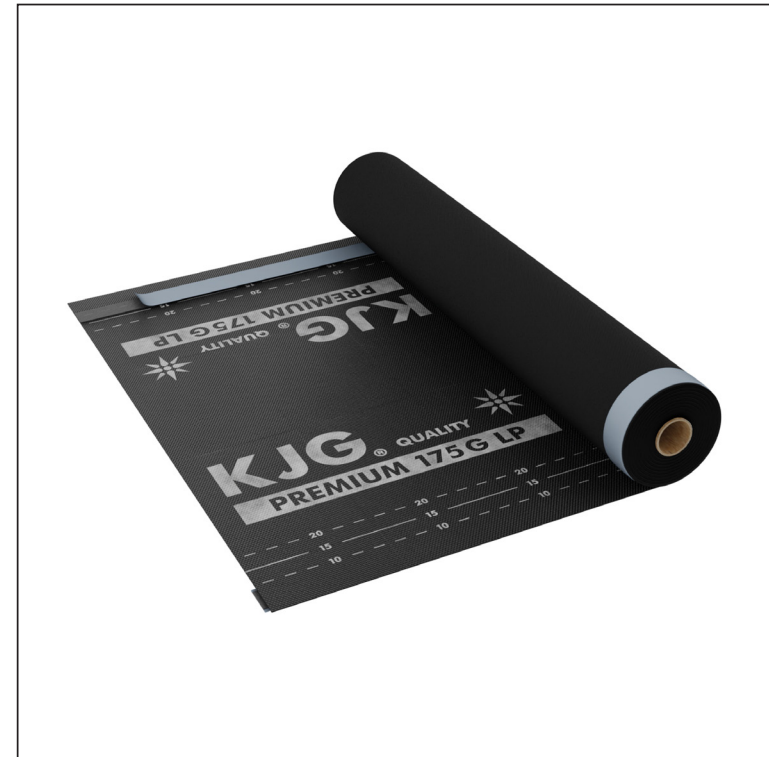
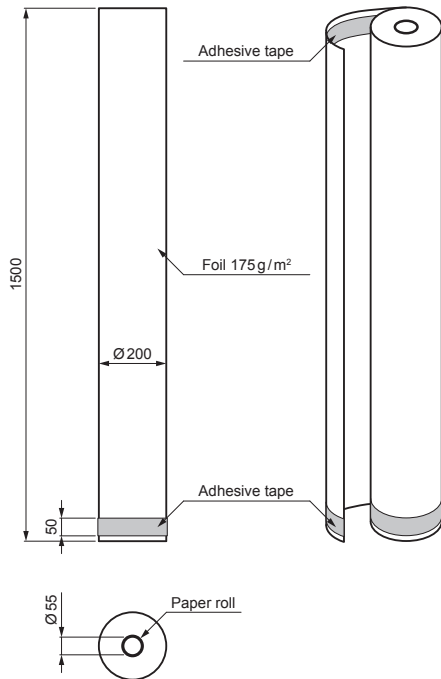


TECHNICAL SHEET

ROOF MEMBRANE PRÉMIUM 175 g ADHESIVE TAPE





SD-EUV FOLIA 175GLP



 Polypropylene – laminate

Technical parameter	
Roll dimensions	1,5 m x 50 l.m. = 75 m ²
Area weight	c.a. 175 g/m ²
Reaction to fire	E
Water vapour transmission properties	Sd = 0,02 m (+/-0,019 m)
Resistance to UV radiation	4 months *
Weight	13,79 kg

* UV stabilization even up to 4 months according to artificial aging carried out in the laboratory relating to the conditions of average sun exposure for the climate of Central Europe

INDEX	CHANGE	DATE	SIGNATURE			
MATERIAL BRAND			W.C.	WEIGHT kg	SCALE	
SIZE, SEMI-FINISHED PRODUCTS						
AUXILIARY EQUIPMENT			STN STANDARD		SORTING NUMBER	
ELABORATED BY Ing. Kluska M.			NOTE		POSITION NUMBER	
TESTED BY						
TECHNOLOGIST		TECHNOLOGIST	OLD DRAWING		DRAWING NUMBER	
NAME Roof membrane PRÉMIUM 175 g adhesive tape			Number of sheets		SD-EUV FOLIA 175GLP Sheet 	

Created: 19.04.2026 15:19:46

Technical changes reserved