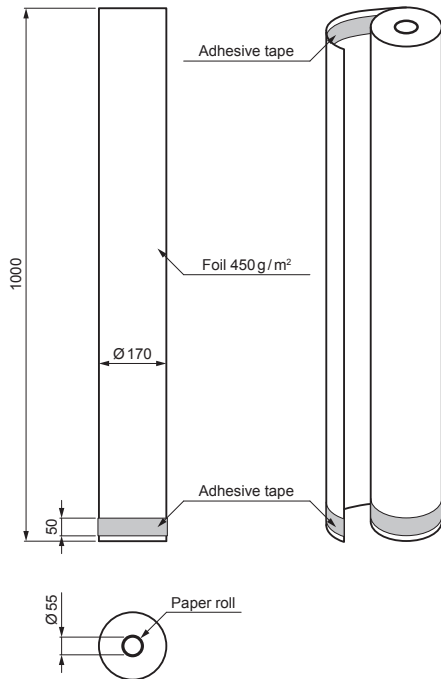
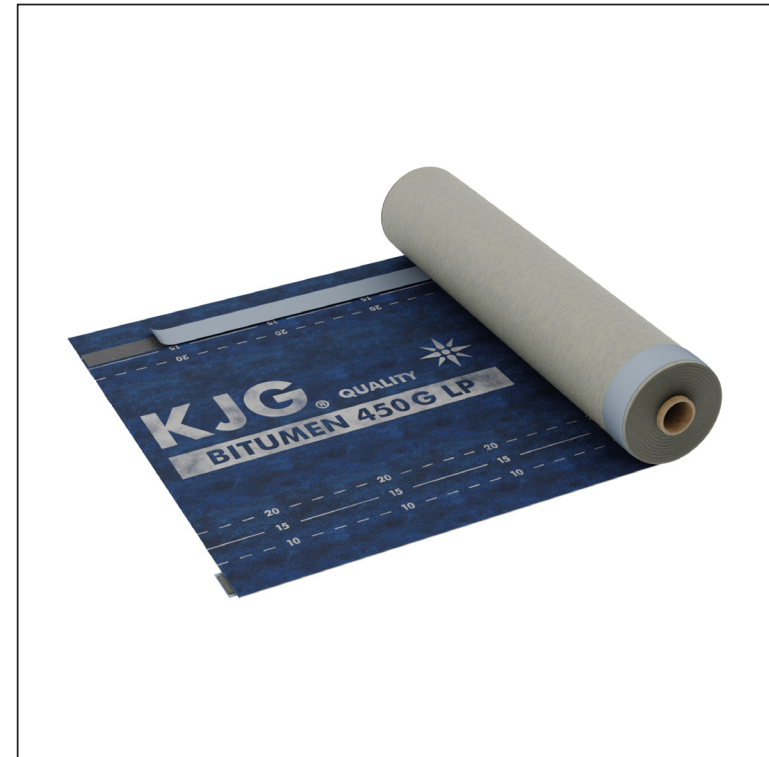


TECHNICAL SHEET

ROOF MEMBRANE BITUMEN 450 g ADHESIVE TAPE







SD-EUV FOLIA 450GLPB



 Bitumen

Technical parameter	
Roll dimensions	1,0 m x 30 l.m. = 30 m ²
Area weight	c.a. 450 g/m ²
Reaction to fire	E
Vapour permeability	0,5 g/m ² /24 hod.
Resistance to UV radiation	4 months *
Weight	13,5 kg

* UV stabilization even up to 4 months according to artificial aging carried out in the laboratory relating to the conditions of average sun exposure for the climate of Central Europe

INDEX	CHANGE	DATE	SIGNATURE			
MATERIAL BRAND			W.C.	WEIGHT kg	SCALE	
SIZE, SEMI-FINISHED PRODUCTS						
AUXILIARY EQUIPMENT				STN STANDARD	SORTING NUMBER	
ELABORATED BY Ing. Kluska M.				NOTE	POSITION NUMBER	
TESTED BY						
TECHNOLOGIST		TECHNOLOGIST		OLD DRAWING	DRAWING NUMBER	
NAME Roof membrane BITUMEN 450 g adhesive tape				SD-EUV FOLIA 450GLPB Number of sheets Sheet 		

Created: 19.04.2026 15:19:47

Technical changes reserved