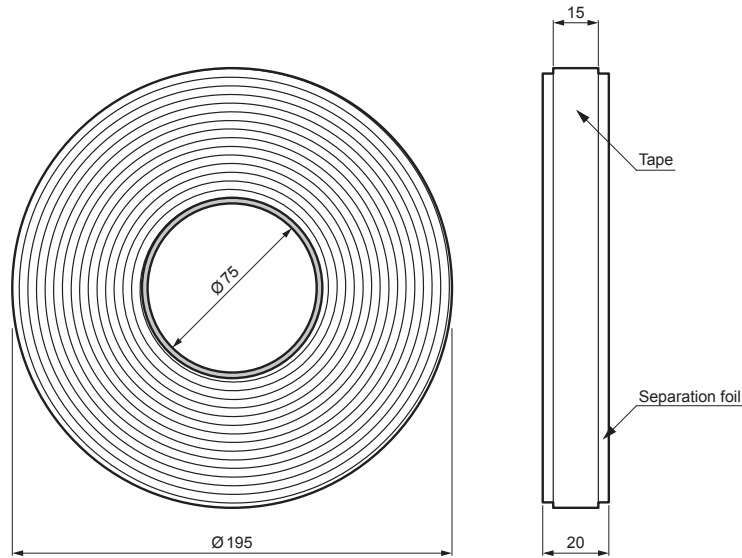



TECHNICAL SHEET

DOUBLE-SIDED BUTYL TAPE





SD-EUV D-BUTYL



The double-sided butyl tape Eurovent BUTYL is designed for joining and sealing vapour-proof foils, roof membranes, underlying foils and other construction products based on plastics. Made on a butyl base, solvent-free, protected with a layer of foil.

 Synthetic thermoplastic rubber

Technical parameter	
Tape dimensions (W x H x D)	15 mm x 1 mm x 25 l.m.
Separation foil width	20 mm
Density	1,71 ± 0,05 g/cm ³ EN ISO 1183 - 1
Resistance against tearing	>25 N/24 mm (36 ± 10) (180°, 300 mm/min) EN 1939
Heat resistance	-40 °C up to +90 °C
Color	Grey
Weight	0,678 kg

INDEX	CHANGE	DATE	SIGNATURE			
MATERIAL BRAND			W.C.	WEIGHT kg	SCALE	
SIZE, SEMI-FINISHED PRODUCTS						
AUXILIARY EQUIPMENT				STN STANDARD	SORTING NUMBER	
ELABORATED BY Ing. Kluska M.				NOTE	POSITION NUMBER	
TESTED BY						
TECHNOLOGIST	TECHNOLOGIST			OLD DRAWING	DRAWING NUMBER	
NAME				SD-EUV D-BUTYL		
Double-sided butyl tape				Number of sheets	Sheet	

Created: 07.06.2026 13:25:36

Technical changes reserved