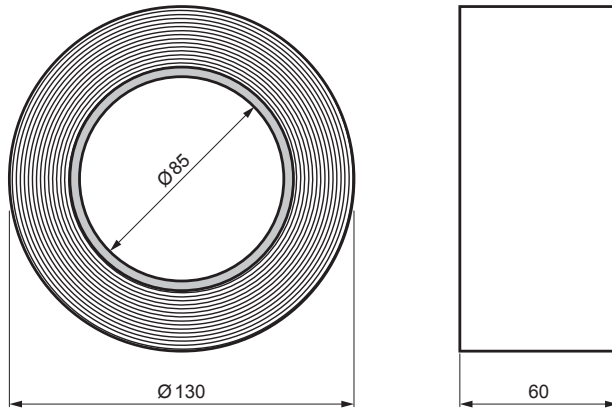



# TECHNICAL SHEET

## MULTI BAND





# SD-EUV D-UNISAN



Universal single-sided PE tape reinforced with polyester fibre and special adhesive based on acrylic dispersion. It is generally used in the construction industry, especially for bonding and repairing foils and roof membranes made of plastic and their bonding with wooden and metal elements. It is also used for bonding other construction products based on plastics.

 Polyethylene foil, polyester mesh, solvent-free acrylic dispersion, EC1PLUS

Technical parameter	
Tape dimensions (W x H x D)	60 mm x 0,30 - 0,33 mm x 25 l.m.
Adhesive weight	230 g/m <sup>2</sup>
Resistance against tearing	≥ 40 N/25 mm
Elongation	≥ 25 N/25 mm, 100 %
Temperature when in use	from -5 °C
Temperature resistance	-40 °C up to +80 °C
UV radiation resistance	resistant
Weight	0,568 kg

INDEX	CHANGE	DATE	SIGNATURE			
MATERIAL BRAND			W.C.	WEIGHT kg	SCALE	
SIZE, SEMI-FINISHED PRODUCTS			AUXILIARY EQUIPMENT		STN STANDARD	SORTING NUMBER
ELABORATED BY Ing. Kluska M.			TESTED BY		NOTE	POSITION NUMBER
TECHNOLOGIST		TECHNOLOGIST	OLD DRAWING		DRAWING NUMBER	
NAME			Multi band		Number of sheets	SD-EUV D-UNISAN Sheet 

Created: 07.06.2026 13:25:47

Technical changes reserved