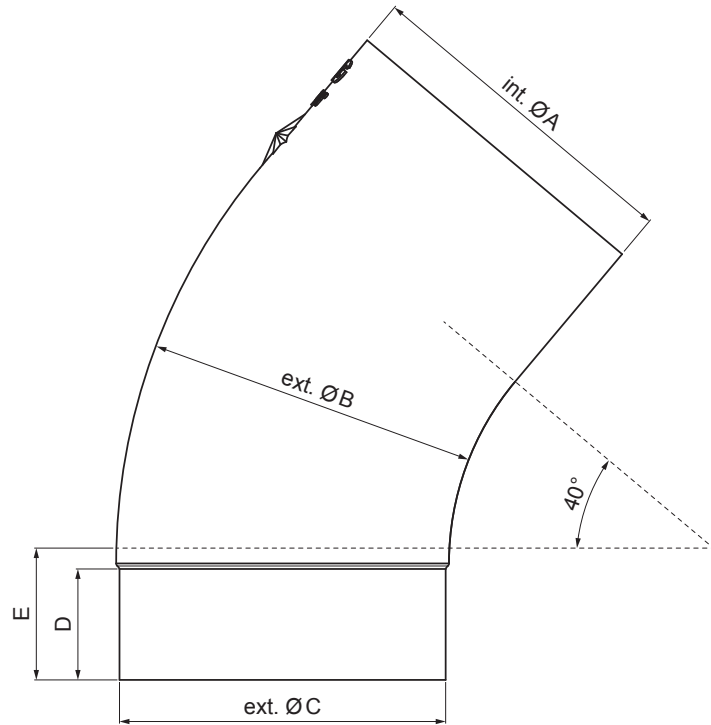


TECHNICAL SHEET




ELBOW BLIND 40°

P-PKT



SB Galvanized steel prepainted – Grey white – RAL 9002

Dimensions [mm]					
Nominal size	$\text{Ø} A$	$\text{Ø} B$	$\text{Ø} C$	D	E
80	80,4	79	76,9	28	40
100	100,4	99,0	96,8	35	50
120	120,3	119,0	116,7	42	60

INDEX	CHANGE	DATE	SIGNATURE		
MATERIAL BRAND			W.C.	WEIGHT kg	SCALE
SIZE, SEMI-FINISHED PRODUCTS				STN STANDARD	SORTING NUMBER
AUXILIARY EQUIPMENT				NOTE	POSITION NUMBER
ELABORATED BY Ing. Kluska M.				OLD DRAWING	DRAWING NUMBER
TESTED BY					
TECHNOLOGIST			TECHNOLOGIST		
NAME			Elbow blind 40°		
			Number of sheets	P-PKT	Sheet 

Created: 04.06.2026 12:59:06

Technical changes reserved