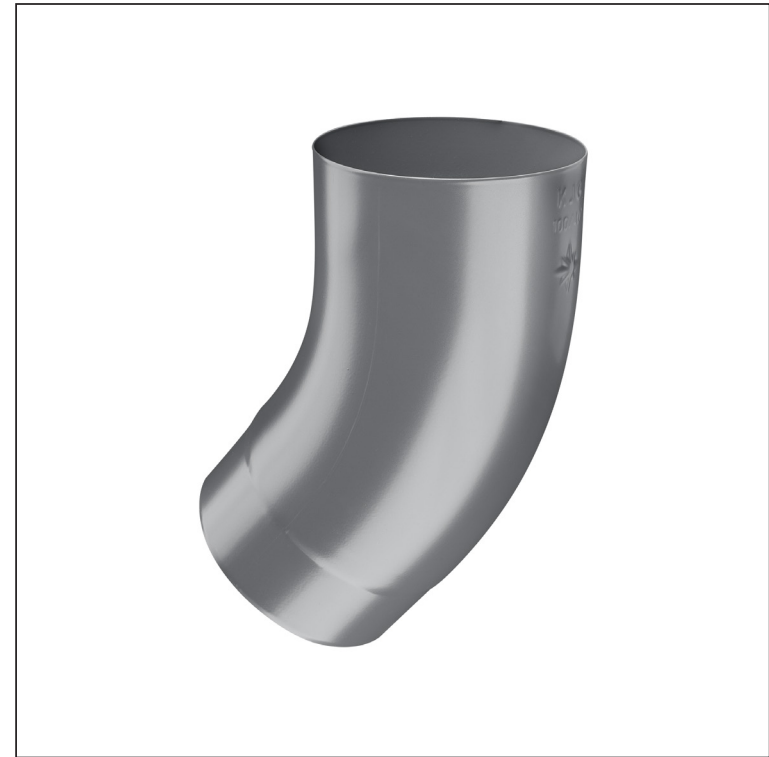
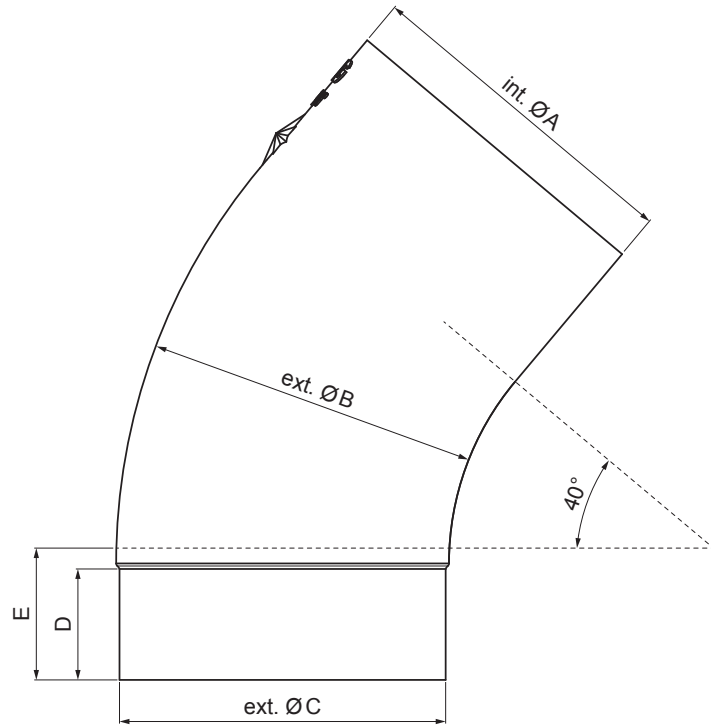


TECHNICAL SHEET


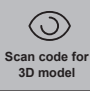


ELBOW BLIND 40°

P-PKT



PS Galvanized steel prepainted – Dusty grey – RAL 7037

Dimensions [mm]					
Nominal size	$\varnothing A$	$\varnothing B$	$\varnothing C$	D	E
80	80,4	79	76,9	28	40
100	100,4	99,0	96,8	35	50
120	120,3	119,0	116,7	42	60

INDEX	CHANGE	DATE	SIGNATURE			
MATERIAL BRAND			W.C.	WEIGHT kg	SCALE	
SIZE, SEMI-FINISHED PRODUCTS					STN STANDARD	SORTING NUMBER
AUXILIARY EQUIPMENT					NOTE	POSITION NUMBER
ELABORATED BY Ing. Kluska M.					OLD DRAWING	DRAWING NUMBER
TESTED BY						
TECHNOLOGIST			TECHNOLOGIST			
NAME			Elbow blind 40°		Number of sheets	P-PKT Sheet 

Created: 05.06.2026 16:57:36

Technical changes reserved