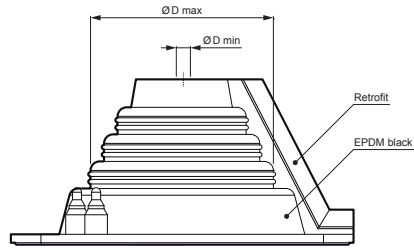


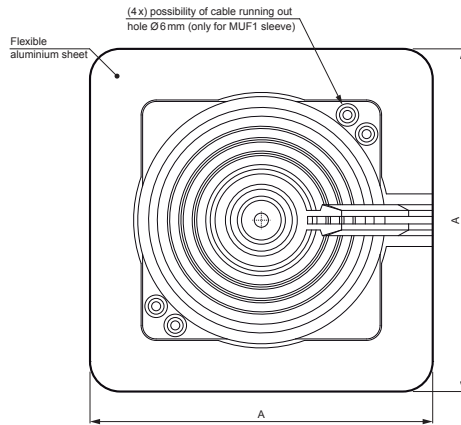
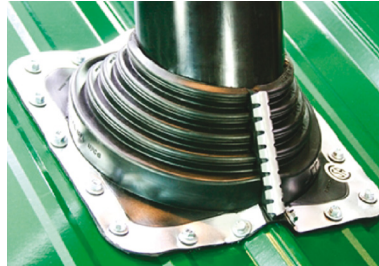
TECHNICAL SHEET

# PIPE/ROOF FLASHING MULTI FLASH MASTER

CUT THE SLEEVE FOR THE REQUIRED PIPE DIAMETER



Application:



- PACKAGE CONTENTS:**
- sleeve
  - farmer screw
  - colourless silicone
  - stainless steel coupling (pre Retrofit)
  - instructions

Dimensions [mm]						
Nominal dimension	Transition piece size STANDART Ø D min – Ø D max	Transition piece size RETROFIT Ø D min – Ø D max	Base dimensions A	Farmer screw /number of pcs	Stainless steel coupling (RETROFIT)	Silicone
MUF1	Ø 6 – Ø 70	Ø 25 – Ø 57	114 x 114	Ø 4,8 x 25 / 8	6 articles	40 ml
MUF3	Ø 6 – Ø 146	Ø 50 – Ø 114	203 x 203	Ø 4,8 x 28 / 16	9 articles	40 ml
MUF5	Ø 102 – Ø 209	Ø 90 – Ø 171	280 x 280	Ø 4,8 x 28 / 20	13 articles	80 ml
MUF8	Ø 171 – Ø 342	Ø 165 – Ø 304	432 x 432	Ø 4,8 x 28 / 28	18 articles	80 ml + 40 ml

# SD-MANZETA MF MUF



**IC** EPDM – Intense black – RAL 9005

INDEX	CHANGE	DATE	SIGNATURE	<b>KJG</b> QUALITY ®	Scan code for 3D model	
MATERIAL BRAND			W.C.	WEIGHT kg	SCALE	
SIZE, SEMI-FINISHED PRODUCTS			STN STANDARD		SORTING NUMBER	
AUXILIARY EQUIPMENT			NOTE		POSITION NUMBER	
ELABORATED BY Ing. Kluska M.			OLD DRAWING		DRAWING NUMBER	
TESTED BY			TECHNOLOGIST		DRAWING NUMBER	
NAME			Pipe/roof flashing MULTI FLASH MASTER		SD-MANZETA MF MUF Number of sheets Sheet	

Created: 05.06.2026 14:23:46

Technical changes reserved