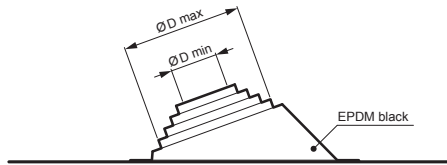


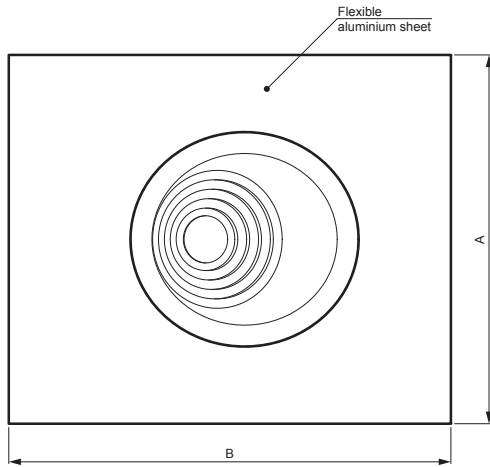
TECHNICAL SHEET

# PIPE/ROOF FLASHING MASTER FLASH RESIDENTIAL

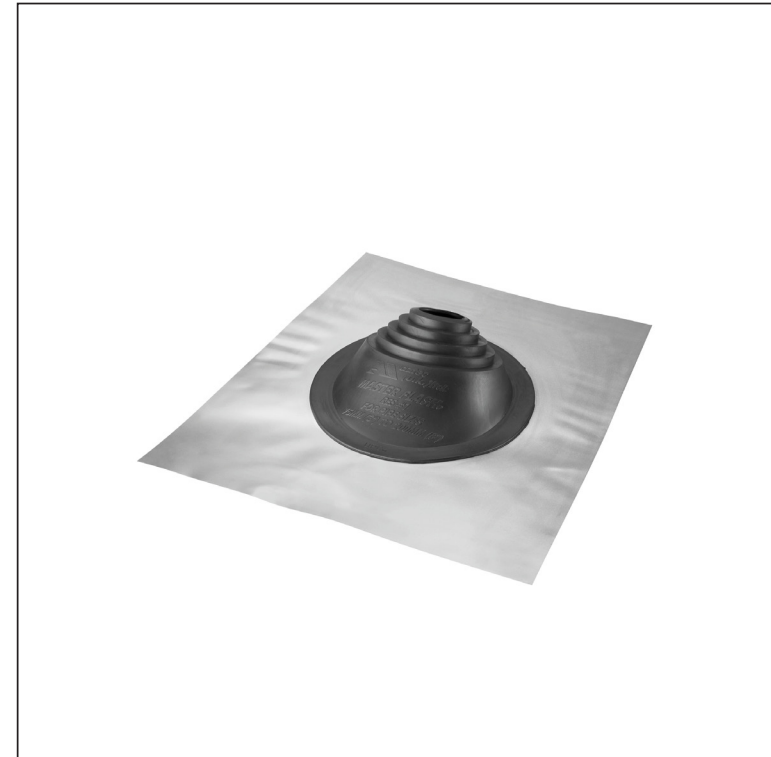
CUT THE SLEEVE FOR THE REQUIRED PIPE DIAMETER



Application:



# SD-MANZETA MF RES



**IC** EPDM – Intense black – RAL 9005

INDEX CHANGE		DATE	SIGNATURE	<b>KJG</b> QUALITY®	Scan code for 3D model
MATERIAL BRAND			W.C.	WEIGHT kg	SCALE
SIZE, SEMI-FINISHED PRODUCTS					
AUXILIARY EQUIPMENT				STN STANDARD	SORTING NUMBER
ELABORATED BY Ing. Kluska M.				NOTE	POSITION NUMBER
TESTED BY					
TECHNOLOGIST		TECHNOLOGIST		OLD DRAWING	DRAWING NUMBER
NAME Pipe/roof flashing MASTER FLASH RESIDENTIAL				Number of sheets	SD-MANZETA MF RES Sheet

Created: 05.06.2026 13:56:28

Technical changes reserved

Dimensions [mm]		
Nominal dimension	Transition piece size Ø D min – Ø D max	Base dimensions AxB
RES1	Ø 76 – Ø 203	508 x 609
RES2	Ø 203 – Ø 280	660 x 762