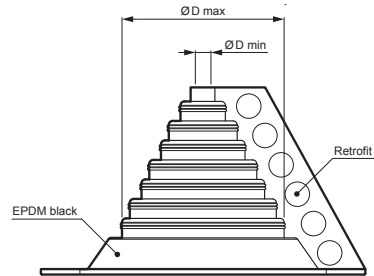


TECHNICAL SHEET

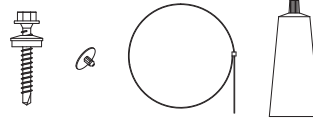
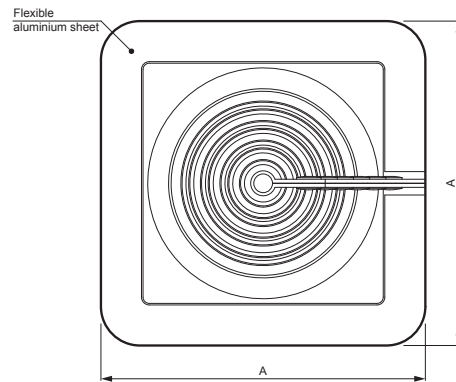
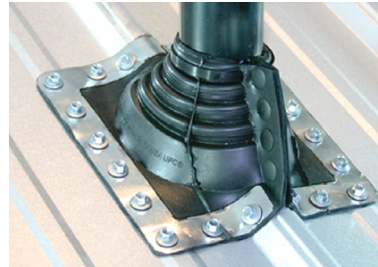
PIPE/ROOF FLASHING MASTER FLASH RETROFIT

SD-MANZETA RF MF

CUT THE SLEEVE FOR THE REQUIRED PIPE DIAMETER



Application:



- PACKAGE CONTENTS:**
- sleeve
 - farmer screw
 - plastic clamping elements
 - plastic stripping tape
 - colourless silicone
 - instructions



IC EPDM – Intense black – RAL 9005

| | | | | | | |
|---|--|--|------------------|-----------|---------------------------|------------------------|
| INDEX CHANGE | | | DATE | SIGNATURE | KJG QUALITY® | Scan code for 3D model |
| | | | | | | |
| MATERIAL BRAND | | | W.C. | WEIGHT kg | SCALE | |
| SIZE, SEMI-FINISHED PRODUCTS | | | STN STANDARD | | SORTING NUMBER | |
| AUXILIARY EQUIPMENT | | | NOTE | | POSITION NUMBER | |
| ELABORATED BY Ing. Kluska M. | | | | | | |
| TESTED BY | | | TECHNOLOGIST | | DRAWING NUMBER | |
| NAME | | | OLD DRAWING | | DRAWING NUMBER | |
| Pipe/roof flashing MASTER FLASH RETROFIT | | | Number of sheets | | SD-MANZETA RF MF Sheet | |

Created: 05.06.2026 13:20:06

Technical changes reserved

| Dimensions [mm] | | | | | | |
|-------------------|--|----------------------|---------------------------------|------------------------------|-----------------------------------|---------------|
| Nominal dimension | Transition piece size Ø D min – Ø D max | Base dimensions A | Farmer screw / number of pcs | Plastic clamping elements | Plastic stripping tape – L x S | Silicone |
| RF MF1 | Ø 12 – Ø 102 | 208x 208 | Ø 4,8x 28 / 17 | 6 pcs | 380x7,5 | 40 ml |
| RF MF2 | Ø 102 – Ø 235 | 362x 362 | Ø 4,8x 28 / 25 | 7 pcs | 940x8,5 | 80 ml |
| RF MF3 | Ø 235 – Ø 412 | 546x 546 | Ø 4,8x 28 / 41 | 8 pcs | 1220x8,5 | 80 ml + 40 ml |