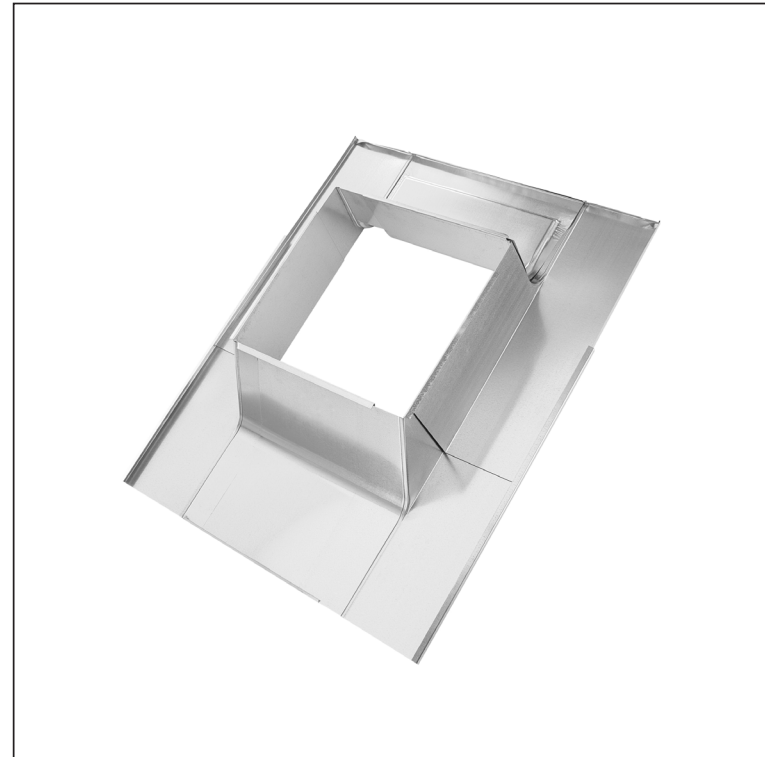
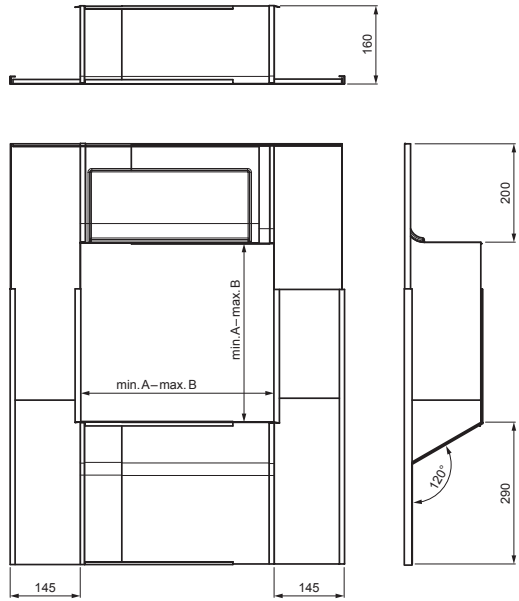


TECHNICAL SHEET

CHIMNEY FLASHING





SD-KOMIN OPLE



Application:



P Galvanized steel – Natur

INDEX	CHANGE	DATE	SIGNATURE			
MATERIAL BRAND			W.C.	WEIGHT kg	SCALE	
SIZE, SEMI-FINISHED PRODUCTS			STN STANDARD		SORTING NUMBER	
AUXILIARY EQUIPMENT			NOTE		POSITION NUMBER	
ELABORATED BY Ing. Kluska M.			OLD DRAWING		DRAWING NUMBER	
TESTED BY			TECHNOLOGIST		DRAWING NUMBER	
NAME			Chimney flashing		SD-KOMIN OPLE	
			Number of sheets		Sheet 	

Created: 03.06.2026 21:16:37

Technical changes reserved

Dimensions [mm]		
Nominal dimension	A	B
A1 18-30	180	300
A2 30-58	300	580
A3 58-82	580	820