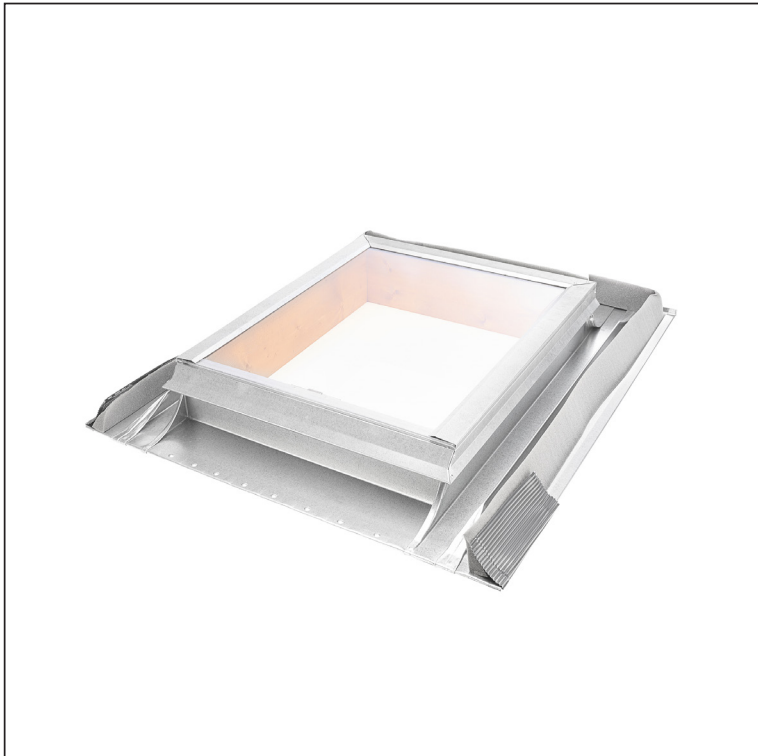
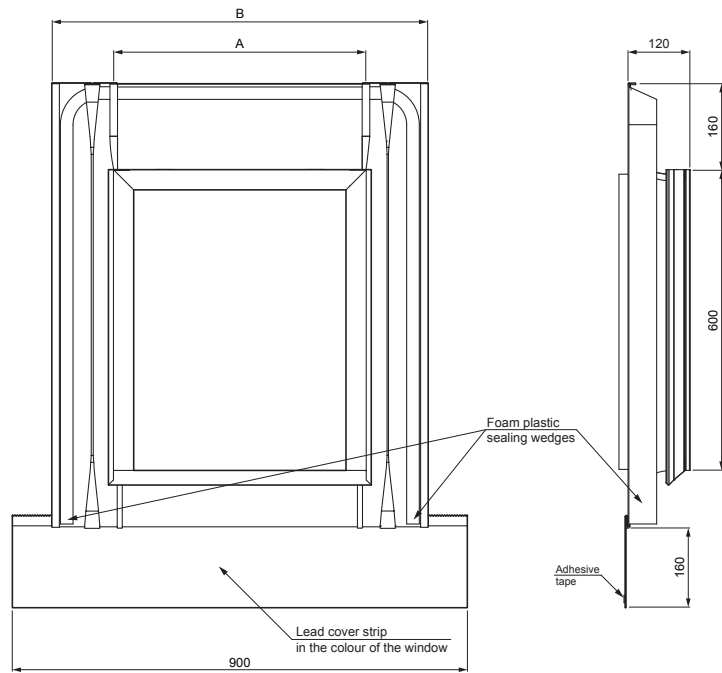


TECHNICAL SHEET

# ROOF WINDOW UNI

# SD-SO UNI



Example of using:



**APPLICATION:**





- profiled roof coverings

**THE PACKAGE INCLUDES:**

- clip (4 pcs)
- nail (4 pcs)
- screw 4x60 (4 pcs)

**P** Galvanized steel – Natur

Dimensions [mm]		
Nominal dimension	A	B
50 x 60	500	750
60 x 60	600	850

INDEX	CHANGE	DATE	SIGNATURE			
MATERIAL BRAND			W.C.	WEIGHT kg	SCALE	
SIZE, SEMI-FINISHED PRODUCTS			STN STANDARD		SORTING NUMBER	
AUXILIARY EQUIPMENT			NOTE		POSITION NUMBER	
ELABORATED BY Ing. Kluska M.			OLD DRAWING		DRAWING NUMBER	
TESTED BY			TECHNOLOGIST		DRAWING NUMBER	
NAME			Roof window UNI		SD-SO UNI	
			Number of sheets		Sheet 	

Created: 03.06.2026 23:36:17

Technical changes reserved