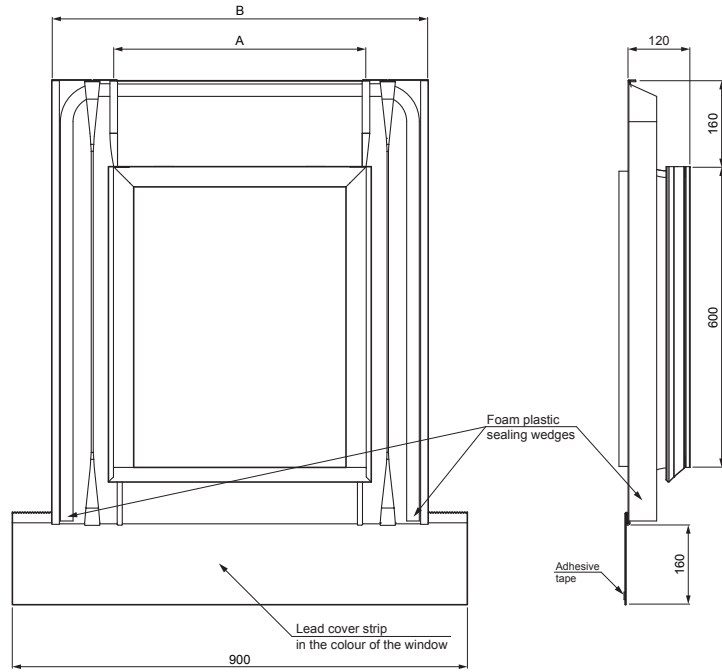


TECHNICAL SHEET

ROOF WINDOW UNI

SD-SO UNI



Example of using:






APPLICATION:

- profiled roof coverings

THE PACKAGE INCLUDES:

- clip (4 pcs)
- nail (4 pcs)
- screw 4x60 (4 pcs)

TM Galvanized steel prepainted – Testa di Moro – RAL 8028

INDEX	CHANGE	DATE	SIGNATURE		 Scan code for 3D model
MATERIAL BRAND			W.C.	WEIGHT kg	SCALE
SIZE, SEMI-FINISHED PRODUCTS				STN STANDARD	SORTING NUMBER
AUXILIARY EQUIPMENT				NOTE	POSITION NUMBER
ELABORATED BY Ing. Kluska M.					
TESTED BY		TECHNOLOGIST		OLD DRAWING	DRAWING NUMBER
NAME			Roof window UNI		
			Number of sheets	SD-SO UNI	Sheet 

Created: 04.12.2025 13:13:28

Technical changes reserved

Dimensions [mm]		
Nominal dimension	A	B
50 x 60	500	750
60 x 60	600	850