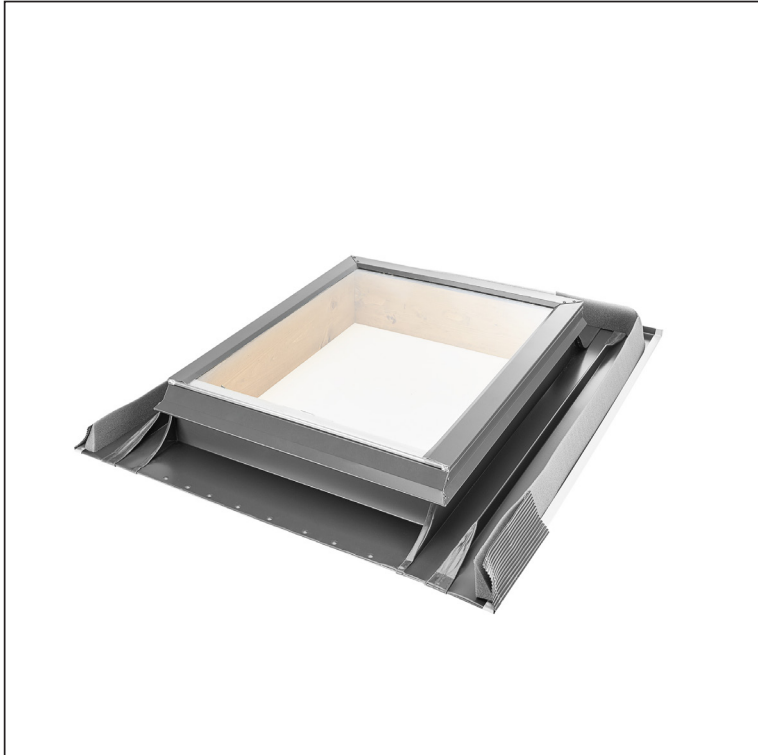
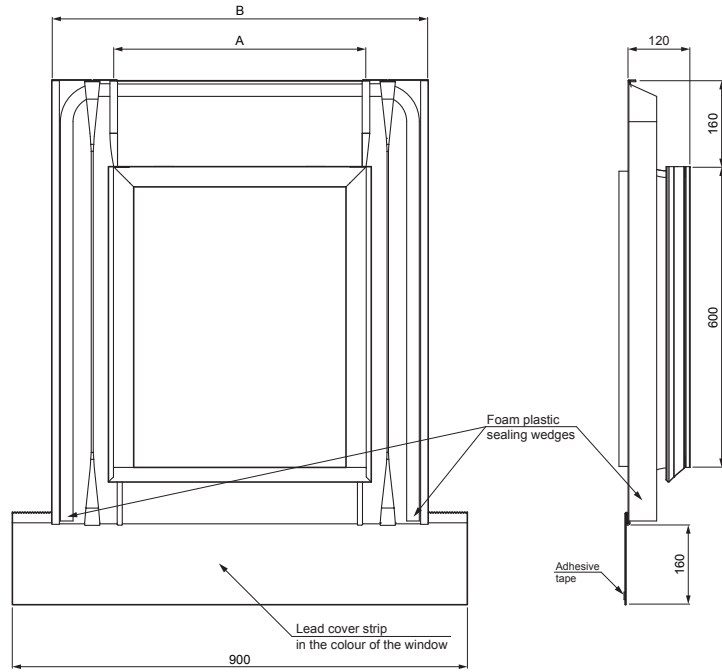


TECHNICAL SHEET

ROOF WINDOW UNI

SD-SO UNI



Example of using:



APPLICATION:

- profiled roof coverings

THE PACKAGE INCLUDES:

- clip (4 pcs)
- nail (4 pcs)
- screw 4x60 (4 pcs)

AN Galvanized steel prepainted – Anthracite – RAL 7016

Dimensions [mm]		
Nominal dimension	A	B
50 x 60	500	750
60 x 60	600	850

INDEX	CHANGE	DATE	SIGNATURE		
MATERIAL BRAND			W.C.	WEIGHT kg	SCALE
SIZE, SEMI-FINISHED PRODUCTS				STN STANDARD	SORTING NUMBER
AUXILIARY EQUIPMENT				NOTE	POSITION NUMBER
ELABORATED BY Ing. Kluska M.					
TESTED BY		TECHNOLOGIST		OLD DRAWING	DRAWING NUMBER
NAME			Roof window UNI		Number of sheets
			SD-SO UNI		Sheet

Created: 20.01.2026 01:25:34

Technical changes reserved