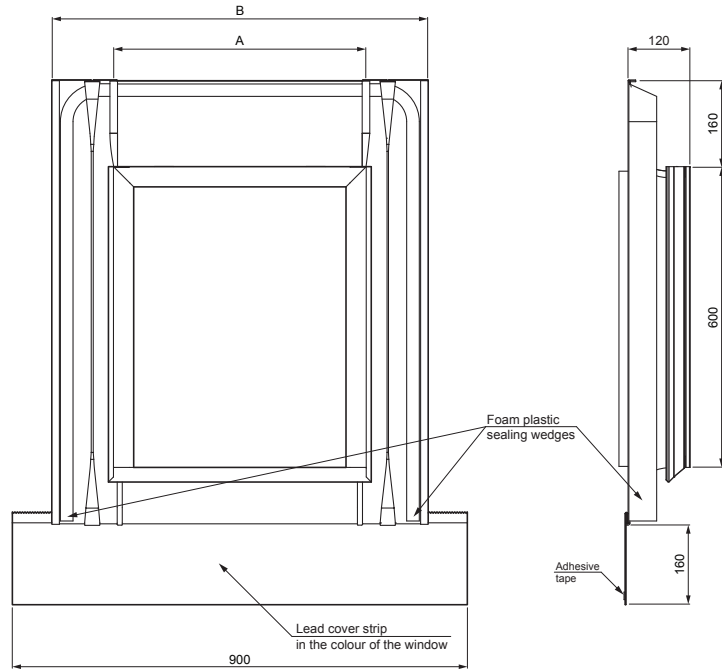


TECHNICAL SHEET

ROOF WINDOW UNI

SD-SO UNI



Example of using:



APPLICATION:





- profiled roof coverings

THE PACKAGE INCLUDES:

- clip (4 pcs)
- nail (4 pcs)
- screw 4x60 (4 pcs)

IC Galvanized steel prepainted – Intense black – RAL 9005

Dimensions [mm]		
Nominal dimension	A	B
50 x 60	500	750
60 x 60	600	850

INDEX	CHANGE	DATE	SIGNATURE			
MATERIAL BRAND			W.C.	WEIGHT kg	SCALE	
SIZE, SEMI-FINISHED PRODUCTS			STN STANDARD		SORTING NUMBER	
AUXILIARY EQUIPMENT			NOTE		POSITION NUMBER	
ELABORATED BY Ing. Kluska M.			OLD DRAWING		DRAWING NUMBER	
TESTED BY			TECHNOLOGIST		DRAWING NUMBER	
NAME			Roof window UNI		Number of sheets SD-SO UNI Sheet 	

Created: 08.06.2026 06:28:15

Technical changes reserved