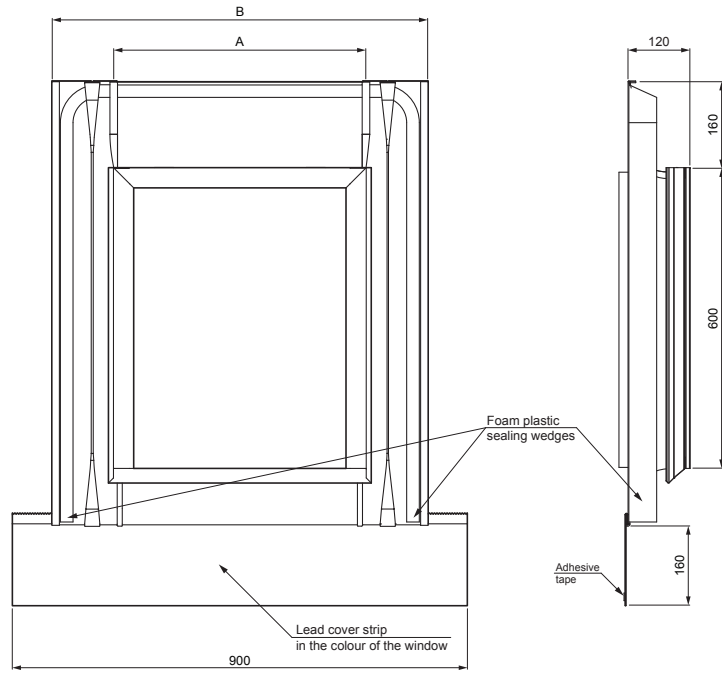


TECHNICAL SHEET

# ROOF WINDOW UNI

# SD-SO UNI



Example of using:






**APPLICATION:**

- profiled roof coverings

**THE PACKAGE INCLUDES:**

- clip (4 pcs)
- nail (4 pcs)
- screw 4x60 (4 pcs)

**OC** Galvanized steel pre-painted – Steel red – RAL 3009

INDEX	CHANGE	DATE	SIGNATURE			
MATERIAL BRAND			W.C.	WEIGHT kg	SCALE	
SIZE, SEMI-FINISHED PRODUCTS			STN STANDARD		SORTING NUMBER	
AUXILIARY EQUIPMENT			NOTE		POSITION NUMBER	
ELABORATED BY Ing. Kluska M.			OLD DRAWING		DRAWING NUMBER	
TESTED BY			TECHNOLOGIST		DRAWING NUMBER	
NAME			Roof window UNI		Number of sheets SD-SO UNI Sheet	

Created: 08.06.2026 04:59:06

Technical changes reserved

Dimensions [mm]		
Nominal dimension	A	B
50 x 60	500	750
60 x 60	600	850