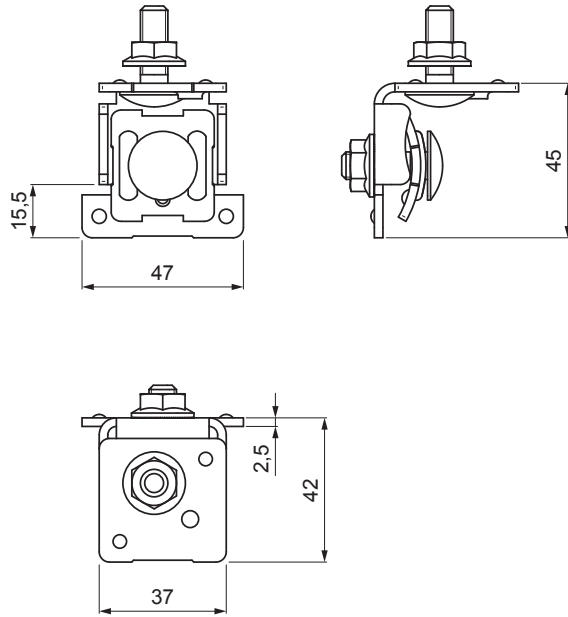


TECHNICAL SHEET

STAINLESS STEEL CLAMP HOLDER FOR METAL ROOFS, ADAPTER

SD-BS DEHN HA M8 SF



N Stainless steel

Technical parameter	
Application	for sheet metal roofs, securing the screw with a notched lock nut
Clamp range	0,7 – 8 mm
Material thickness	2,5 mm
Screw	M8 x 25
Weight	0,122 kg / pcs

INDEX		DATE	SIGNATURE	KJG QUALITY ©
CHANGE				
MATERIAL BRAND		W.C.	WEIGHT kg	SCALE
SIZE, SEMI-FINISHED PRODUCTS			STN STANDARD	SORTING NUMBER
AUXILIARY EQUIPMENT			NOTE	POSITION NUMBER
ELABORATED BY Ing. Kluska M.				
TESTED BY			OLD DRAWING	DRAWING NUMBER
TECHNOLOGIST		TECHNOLOGIST		
NAME		Stainless steel clamp holder for metal roofs, adapter		Number of sheets SD-BS DEHN HA M8 SF Sheet

Created: 05.06.2026 18:39:05

Technical changes reserved