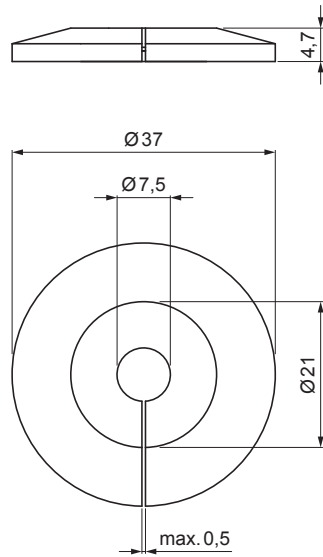


TECHNICAL SHEET

# PVC SLEEVE AGAINST WATER INGRESS FOR 8 mm WIRE

# SD-BS DEHN MS 37 PVC





**APPLICATION:**



 PVC

Technical parameter	
Application	it prevents rainwater from running down the conductor, the facade will not get dirty
Wire cross-section	$\text{Ø}8 \text{ mm}$
Weight	0,002 kg / pcs

INDEX	CHANGE	DATE	SIGNATURE		
MATERIAL BRAND			W.C.	WEIGHT kg	SCALE
SIZE, SEMI-FINISHED PRODUCTS				STN STANDARD	SORTING NUMBER
AUXILIARY EQUIPMENT				NOTE	POSITION NUMBER
ELABORATED BY Ing. Kluska M.					
TESTED BY					
TECHNOLOGIST		TECHNOLOGIST		OLD DRAWING	DRAWING NUMBER
NAME			PVC sleeve against water ingress for 8 mm wire		SD-BS DEHN MS 37 PVC Number of sheets Sheet 

Created: 05.06.2026 18:39:05

Technical changes reserved