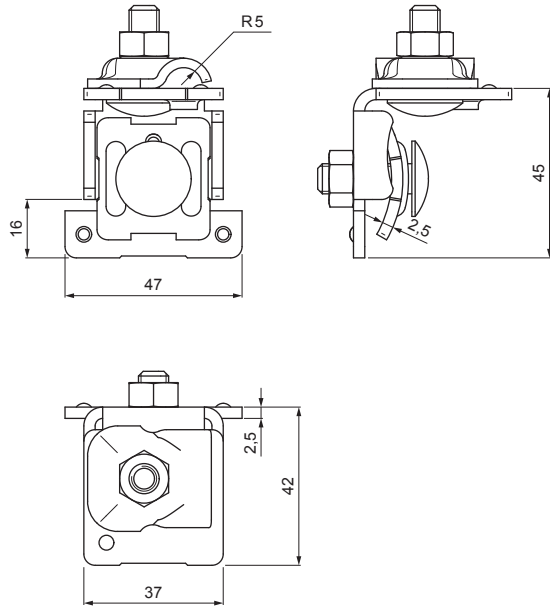


TECHNICAL SHEET

STAINLESS STEEL CLAMP FALZ KJG WITH THE RANGE OF 0,7–0,8 mm

SD-BS DEHN SVORKA FA



APPLICATION:



N Stainless steel

Technical parameter	
Application	clamp for FALZ with enlarged connection
Clamp range	0,7 – 8 mm
Conductor diameter	Ø6 – Ø10 mm
Screw /material	M8x25 mm /Stainless steel
Weight	0,134 kg / pcs

INDEX	CHANGE	DATE	SIGNATURE	KJG QUALITY ©	
MATERIAL BRAND			W.C.	WEIGHT kg	SCALE
SIZE, SEMI-FINISHED PRODUCTS				STN STANDARD	SORTING NUMBER
AUXILIARY EQUIPMENT				NOTE	POSITION NUMBER
ELABORATED BY Ing. Kluska M.					
TESTED BY					
TECHNOLOGIST		TECHNOLOGIST		OLD DRAWING	DRAWING NUMBER
NAME Stainless steel clamp FALZ KJG with the range of 0,7–0,8 mm			SD-BS DEHN SVORKA FA Number of sheets Sheet		

Created: 05.06.2026 17:57:57

Technical changes reserved