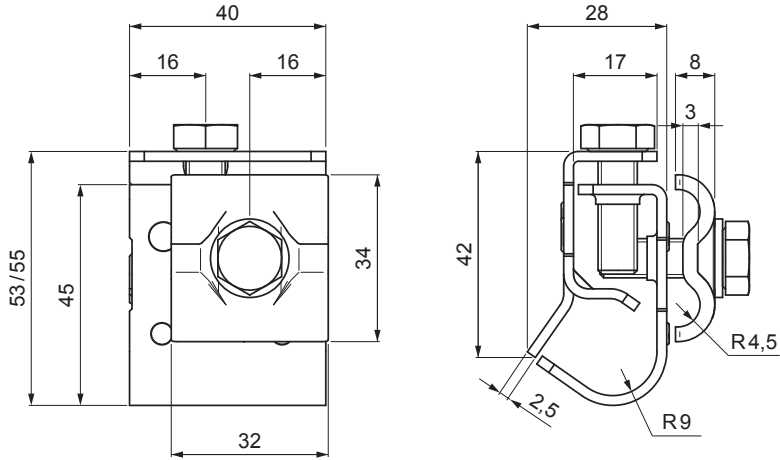


TECHNICAL SHEET

# STAINLESS STEEL CLAMP ON THE ROOF GUTTER BEAD

# SD-BS DEHN SVORKA NA



**APPLICATION:**



**N** Stainless steel

Technical parameter	
Application	clamp for gutter
Bead – gutter rounding	Ø 16 – Ø 22 mm
Conductor diameter	Ø 8 – Ø 10 mm
Screw / material	M8x25 mm / Stainless steel
Weight	0,132 kg / pcs

INDEX	CHANGE	DATE	SIGNATURE	<b>KJG</b> QUALITY ©	
MATERIAL BRAND			W.C.	WEIGHT kg	SCALE
SIZE, SEMI-FINISHED PRODUCTS				STN STANDARD	SORTING NUMBER
AUXILIARY EQUIPMENT				NOTE	POSITION NUMBER
ELABORATED BY Ing. Kluska M.					
TESTED BY					
TECHNOLOGIST		TECHNOLOGIST		OLD DRAWING	DRAWING NUMBER
NAME			SD-BS DEHN SVORKA NA		
Stainless steel clamp on the roof gutter bead			Number of sheets		

Created: 03.06.2026 22:42:08

Technical changes reserved