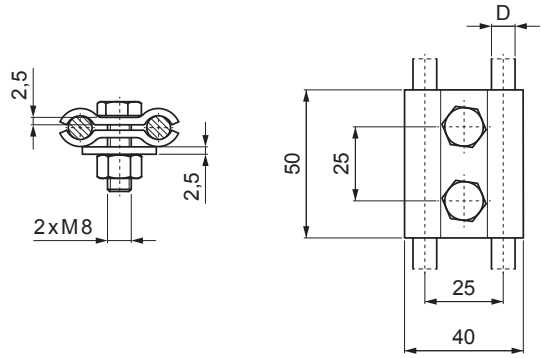


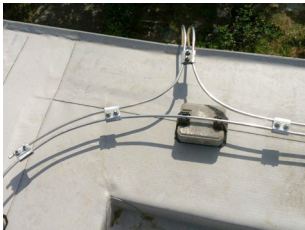
TECHNICAL SHEET

STAINLESS CLAMP CONNECTING 2 SCREWS WITH STRAP PIECE

SD-BS SVORKA SS2SK



APPLICATION:



N Stainless steel

Technical parameter	
Conductor diameter	Ø8 – Ø10 mm
Screw /material	M8x25 mm /Stainless steel
Weight	0,150 kg / pcs

INDEX	CHANGE	DATE	SIGNATURE	KJG QUALITY ©	
MATERIAL BRAND			W.C.	WEIGHT kg	SCALE
SIZE, SEMI-FINISHED PRODUCTS				STN STANDARD	SORTING NUMBER
AUXILIARY EQUIPMENT				NOTE	POSITION NUMBER
ELABORATED BY Ing. Kluska M.					
TESTED BY		TECHNOLOGIST		OLD DRAWING	DRAWING NUMBER
NAME Stainless clamp connecting 2 screws with strap piece				Number of sheets	SD-BS SVORKA SS2SK Sheet

Created: 05.06.2026 17:50:25

Technical changes reserved