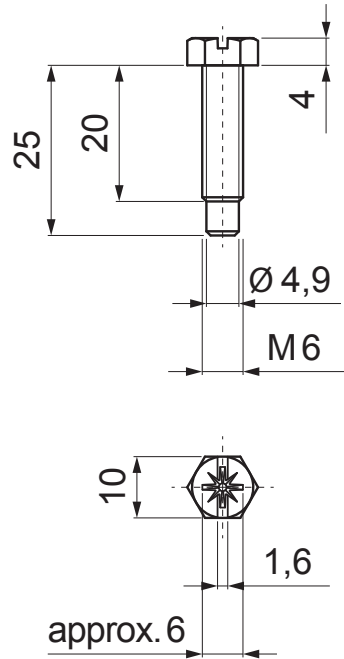




TECHNICAL SHEET

STAINLESS STEEL SCREW FOR DOWNPIPE BRACKET M6 x 20

P-POB-NSK



304 2B Stainless steel – AISI 304 2B – MATT

INDEX	CHANGE	DATE	SIGNATURE	KJG QUALITY®	Scan code for 3D model 
MATERIAL BRAND			W.C.	WEIGHT kg	SCALE
SIZE, SEMI-FINISHED PRODUCTS				STN STANDARD	SORTING NUMBER
AUXILIARY EQUIPMENT				NOTE	POSITION NUMBER
ELABORATED BY Ing. Kluska M.				OLD DRAWING	DRAWING NUMBER
TESTED BY					
TECHNOLOGIST		TECHNOLOGIST			
NAME Stainless steel screw for downpipe bracket M6 x 20				Number of sheets	P-POB-NSK Sheet 

Created: 05.06.2026 01:38:27

Technical changes reserved