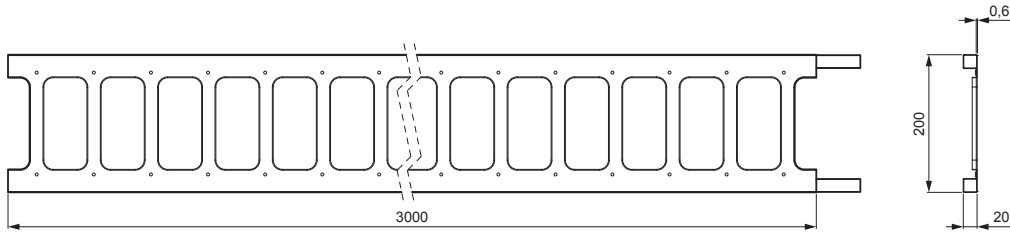


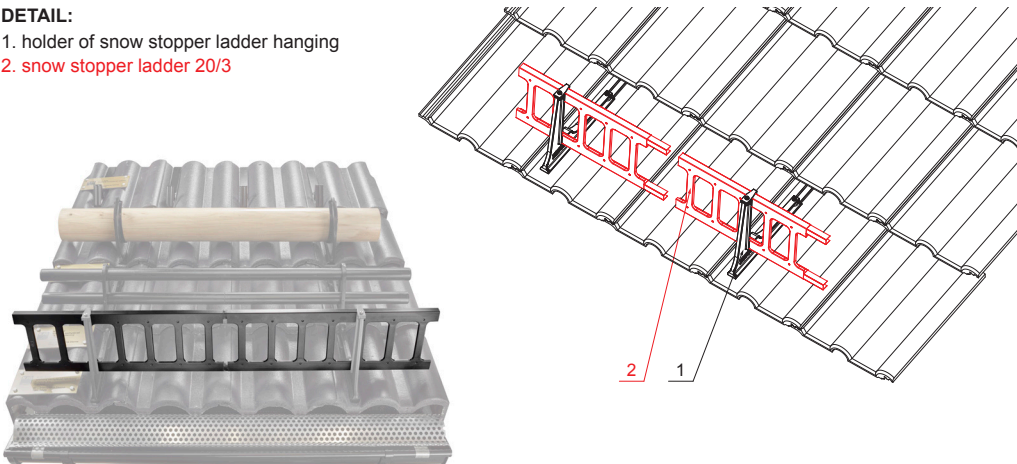
TECHNICAL SHEET

SNOW STOPPER LADDER 20/3





ZS-HEU PSZ R 20/3



- DETAIL:**
- 1. holder of snow stopper ladder hanging
 - 2. snow stopper ladder 20/3



P Galvanized steel – Natur

| | | | | | | |
|------------------------------|--------|--------------|--------------------------|---|---|---|
| INDEX | CHANGE | DATE | SIGNATURE |  |  |  |
| | | | | | | |
| MATERIAL BRAND | | | W.C. | WEIGHT kg | SCALE | |
| SIZE, SEMI-FINISHED PRODUCTS | | | | STN STANDARD | SORTING NUMBER | |
| AUXILIARY EQUIPMENT | | | | NOTE | POSITION NUMBER | |
| ELABORATED BY Ing. Kluska M. | | | | | | |
| TESTED BY | | | | | | |
| TECHNOLOGIST | | TECHNOLOGIST | | OLD DRAWING | DRAWING NUMBER | |
| NAME | | | Snow stopper ladder 20/3 | | ZS-HEU PSZ R 20/3 | |
| | | | Number of sheets | | Sheet  | |

Created: 07.06.2026 02:20:56

Technical changes reserved